



# Dimensions

## Tailswing

No Counterweight - 14' 1" (4293)

"A" Counterweight - 14' 11" (4547)

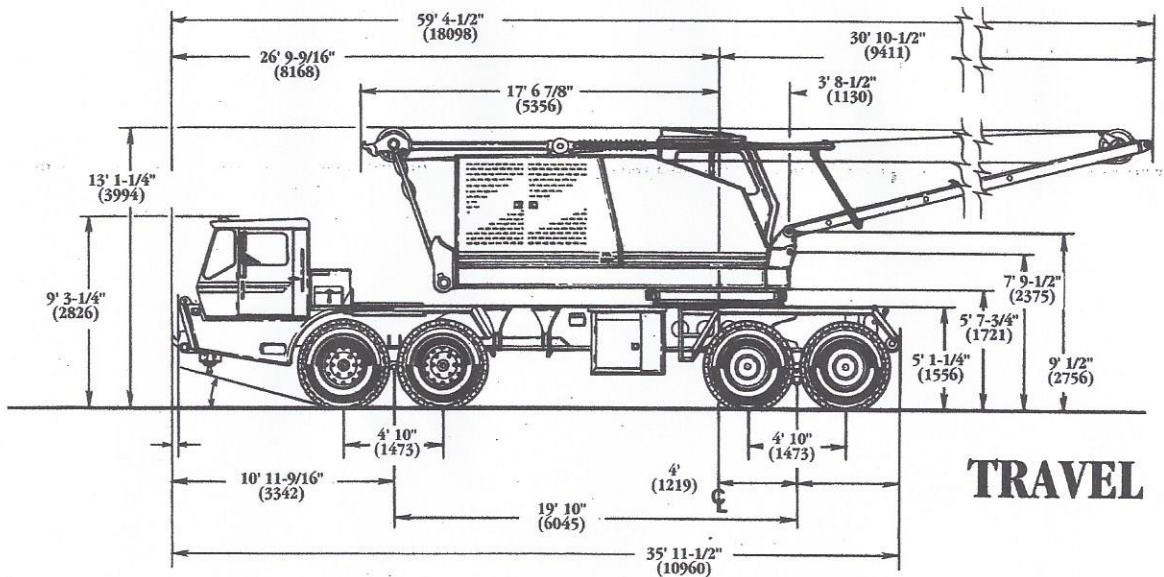
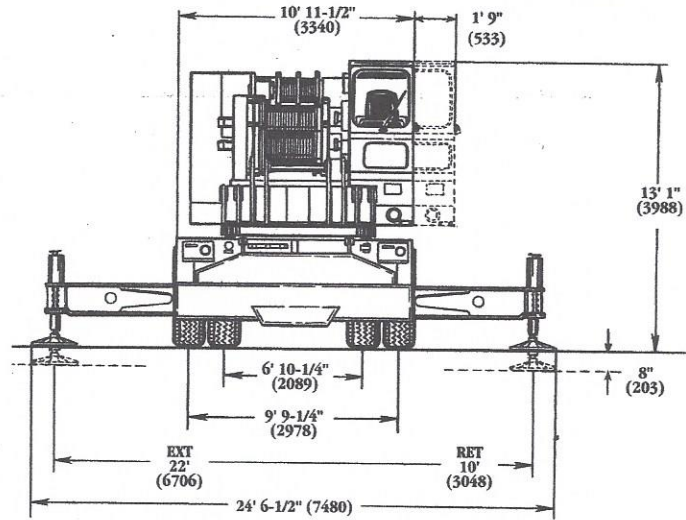
"C" Counterweight - 17' (5182)

## Turning Clearance

Over Bumper - 53' 3" (16.3m)

At Curb - 51' 2-1/2" (15.6m)

## REAR

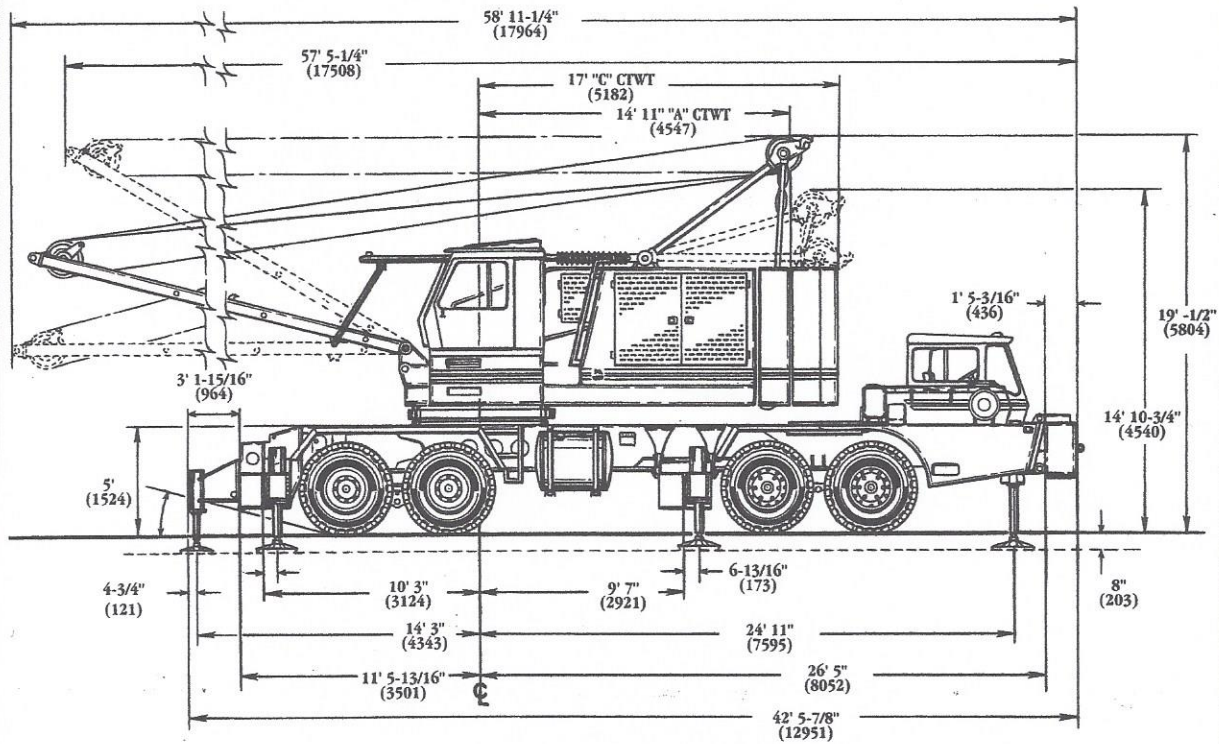


## TRAVEL



# Dimensions

# HL150T



## WORKING



Grove Worldwide - World Headquarters  
 1565 Buchanan Trail East  
 Shady Grove, Pennsylvania 17256  
 Phone: (717) 597-8121 Telex: 1842308 Fax: (717) 597-4062

Grove North America  
 P.O. Box 21, Shady Grove, Pennsylvania 17256  
 Western Hemisphere, Asia/Pacific  
 Phone: (717) 597-8121 Telex: 1842308 Fax: (717) 597-4062

Grove Europe\*  
 Sunderland, England SR4 6TT  
 Europe, Africa, Middle East, Near East  
 Phone: (091) 565-6281 Telex: 53484 CRANES G Fax: (091) 564-0442

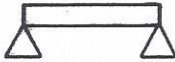
\* Grove Europe Limited, Registered in England, Number 1845128, Registered office, Crown Works, Pallion, Sunderland, Tyne & Wear, England SR4 6TT.

Constant improvement and engineering progress make it necessary that we reserve the right to make specification, equipment, and price changes without notice. Illustrations shown may include optional equipment and accessories and may not include all standard equipment.

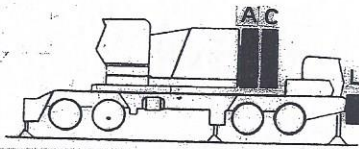
Distributed By:



**68A BOOM – ON OUTRIGGERS OVER REAR  
85% STABILITY**



**CAPACITY IN POUNDS  
WITH A C + L COUNTERWEIGHTS**



**COUNTERWEIGHT CONFIGURATION**

BOOM LGTH	LOAD RAD	BOOM ANG	SHEAVE HGT	RATED LOAD
50	45	35.8	36.0	78,900
50	50	23.7	26.8	68,200

60	45	47.7	51.4	79,000
60	50	40.7	46.0	68,300
60	60	21.5	28.6	53,300

70	45	54.9	64.4	79,000
70	50	49.6	60.3	68,400
70	60	37.5	49.4	53,500
70	70	19.8	30.3	43,400

80	45	59.8	76.3	78,900
----	----	------	------	--------

80	50	55.5	73.1	68,200
80	60	46.2	64.7	53,300
80	70	34.9	52.6	43,300
80	80	18.4	31.9	36,200

90	45	63.5	87.8	78,900
90	50	59.8	85.0	68,200
90	60	52.1	78.0	53,300
90	70	43.4	68.7	43,400
90	80	32.8	55.6	36,200
90	90	17.3	33.4	30,900

100	45	66.3	98.9	78,800
100	50	63.1	96.5	68,000
100	60	56.5	90.5	53,100
100	70	49.2	82.7	43,100
100	80	41.0	72.5	36,000
100	90	31.1	58.4	30,600
100	100	16.4	34.8	26,500

110	45	68.6	109.8	78,600
110	50	65.8	107.6	67,800
110	60	59.9	102.3	52,900
110	70	53.6	95.6	42,900
110	80	46.7	87.1	35,800
110	90	39.0	76.0	30,500
110	100	29.6	61.0	26,400
110	110	15.6	36.2	23,000

120	45	70.5	120.5	78,400
120	50	67.9	118.5	67,600
120	60	62.6	113.8	52,700
120	70	57.1	107.8	42,700

120	80	51.1	100.4	35,500
120	90	44.6	91.2	30,200
120	100	37.2	79.4	26,100
120	110	28.3	63.5	22,800
120	120	14.9	37.4	20,000

130	25	81.1	136.1	147,600
130	30	78.9	135.1	121,700
130	35	76.6	134.0	103,200
130	40	74.3	132.7	89,200
130	45	72.0	131.1	78,200
130	50	69.7	129.3	67,400
130	60	64.9	125.0	52,500
130	70	59.9	119.6	42,500
130	80	54.6	113.1	35,300
130	90	49.0	105.1	30,000
130	100	42.8	95.2	26,000
130	110	35.7	82.7	22,600
130	120	27.1	65.9	19,900
130	130	14.3	38.7	17,600

140	27	80.9	145.5	135,800
140	30	79.7	145.3	121,200
140	35	77.6	144.3	102,800
140	40	75.5	143.0	88,700
140	45	73.4	141.6	78,000
140	50	71.2	139.9	67,200
140	60	66.8	136.0	52,300
140	70	62.3	131.1	42,200
140	80	57.5	125.2	35,100
140	90	52.5	118.1	29,700
140	100	47.1	109.4	25,700
140	110	41.1	98.9	22,400
140	120	34.3	85.8	19,600
140	130	26.1	68.2	17,300
140	140	13.7	39.8	15,400

150	28	81.2	155.8	130,200
150	30	80.4	155.5	120,800
150	35	78.4	154.5	102,400
150	40	76.5	153.4	88,400
150	45	74.5	152.0	77,700
150	50	72.5	150.5	66,900
150	60	68.4	146.9	52,000
150	70	64.3	142.4	42,000
150	80	59.9	137.0	34,800
150	90	55.4	130.5	29,400
150	100	50.5	122.8	25,500
150	110	45.4	113.7	22,100
150	120	39.6	102.6	19,400
150	130	33.1	88.8	17,100
150	140	25.2	70.5	15,100
150	150	13.3	41.0	13,500

RATED LOADS APPEARING IN SHADED AREAS ARE BASED ON STRUCTURAL OR OTHER FACTORS RATHER THAN STABILITY.

READ AND UNDERSTAND LIFTING CAPACITY NOTES ON A6-829-800021 LOCATED IN THE FRONT OF THIS MANUAL BEFORE OPERATING THIS MACHINE.

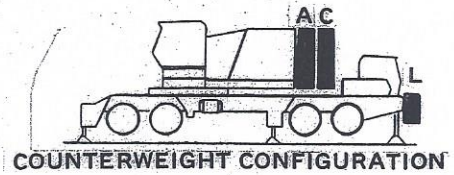
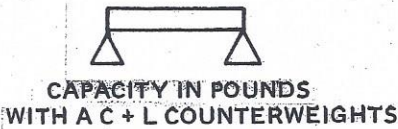
† LMI OPERATING CODE. REFER TO LMI MANUAL FOR INSTRUCTIONS.

69147  
SERIAL NUMBER

HL150T  
IDENTIFICATION



**68A BOOM – ON OUTRIGGERS OVER REAR  
85% STABILITY**



BOOM LGTH	LOAD RAD	BOOM ANG	SHEAVE HGT	RATED LOAD
160	30	81.0	165.6	120,400
160	35	78.2	164.7	101,900
160	40	77.3	163.6	88,200
160	45	75.5	162.4	77,200
160	50	73.6	161.0	66,700
160	60	69.8	157.6	51,800
160	70	66.0	153.4	41,700
160	80	62.0	148.5	34,500
160	90	57.8	142.6	29,100
160	100	53.4	135.6	25,200
160	110	48.8	127.4	21,800
160	120	43.8	117.7	19,100
160	130	38.3	106.1	16,800
160	140	32.0	91.6	14,800
160	150	24.3	72.6	13,200
160	160	12.8	42.1	11,700
170	31	81.2	175.6	113,800
170	35	79.8	174.9	101,500
170	40	78.1	173.9	87,800
170	45	76.4	172.7	76,900
170	50	74.6	171.4	66,400
170	60	71.1	168.2	51,500
170	70	67.5	164.4	41,400
170	80	63.8	159.7	34,300
170	90	59.9	154.3	29,100
170	100	55.9	147.9	24,900
170	110	51.7	140.5	21,600
170	120	47.3	131.8	18,800
170	130	42.4	121.6	16,600
170	140	37.1	109.4	14,600
170	150	31.0	94.4	13,000
170	160	23.6	74.7	11,500
170	170	12.4	43.1	10,300
180	33	81.0	185.4	99,800
180	35	80.4	185.1	99,100
180	40	78.8	184.1	87,400
180	45	77.1	183.0	76,400
180	50	75.5	181.8	66,200
180	60	72.2	178.8	51,300
180	70	68.8	175.2	41,200
180	80	65.3	170.9	34,000
180	90	61.8	165.8	28,800
180	100	58.1	159.9	24,600
180	110	54.2	153.1	21,300
180	120	50.2	145.2	18,500
180	130	45.8	136.1	16,200
180	140	41.2	125.4	14,300
180	150	36.0	112.7	12,700
180	160	30.1	97.1	11,200
180	170	22.9	76.7	10,000
180	180	12.1	44.2	8,800
190	34	81.2	196.4	85,600
190	35	80.9	195.2	85,200
190	40	79.4	194.3	73,700
190	45	77.8	193.3	63,000
190	50	76.3	192.1	53,900

BOOM LGTH	LOAD RAD	BOOM ANG	SHEAVE HGT	RATED LOAD
190	60	73.1	189.3	51,000
190	70	70.0	185.9	40,900
190	80	66.7	181.8	33,700
190	90	63.4	177.1	28,600
190	100	59.9	171.6	24,300
190	110	56.4	165.3	21,000
190	120	52.6	158.1	18,200
190	130	48.7	149.8	16,000
190	140	44.5	140.2	14,000
190	150	40.0	129.1	12,400
190	160	35.0	115.9	10,900
190	170	29.3	99.7	9,700
190	180	22.3	78.7	8,600
190	190	11.7	45.2	7,600
200	36	81.1	205.2	75,800
200	40	79.9	204.5	74,600
200	45	78.4	203.5	73,400
200	50	77.0	202.4	65,500
200	60	74.0	199.7	50,500
200	70	71.0	196.5	40,400
200	80	67.9	192.7	33,200
200	90	64.8	188.2	28,000
200	100	61.6	183.1	23,800
200	110	58.3	177.2	20,400
200	120	54.8	170.5	17,700
200	130	51.2	162.9	15,400
200	140	47.4	154.2	13,400
200	150	43.4	144.2	11,800
200	160	39.0	132.6	10,300
200	170	34.1	118.9	9,100
200	180	28.5	102.3	8,000
200	190	21.7	80.6	7,000
200	200	11.4	46.2	6,100
210	37	81.2	215.2	67,500
210	40	80.4	214.7	66,700
210	45	79.0	213.7	65,500
210	50	77.6	212.7	64,800
210	60	74.8	210.1	50,400
210	70	71.9	207.1	40,300
210	80	69.0	203.5	33,000
210	90	66.1	199.3	27,900
210	100	63.0	194.4	23,700
210	110	59.9	188.9	20,300
210	120	56.7	182.7	17,600
210	130	53.4	175.6	15,300
210	140	49.9	167.6	13,300
210	150	46.2	158.5	11,700
210	160	42.2	148.1	10,200
210	170	38.0	136.1	9,000
210	180	33.3	121.9	7,900
210	190	27.8	104.8	6,900
210	200	21.2	82.5	6,000
210	210	11.1	47.1	5,200
220	38	81.1	225.0	56,800
220	40	80.8	224.8	56,600
220	45	79.5	223.9	55,600

BOOM LGTH	LOAD RAD	BOOM ANG	SHEAVE HGT	RATED LOAD
220	60	75.5	220.5	50,100
220	70	72.8	217.6	39,900
220	80	70.0	214.2	32,700
220	90	67.2	210.2	27,600
220	100	64.4	205.6	23,300
220	110	61.4	200.4	20,000
220	120	58.4	194.6	17,200
220	130	55.3	188.0	14,900
220	140	52.0	180.5	12,900
220	150	48.6	172.1	11,300
220	160	45.1	162.6	9,800
220	170	41.2	151.9	8,600
220	180	37.1	139.4	7,500
220	190	32.5	124.8	6,500
220	200	27.2	107.2	5,600
220	210	20.7	84.3	4,800
230	41	81.0	234.2	50,700
230	45	80.0	234.1	49,900
230	50	78.7	233.1	48,200
230	60	76.1	230.2	48,200
230	70	73.6	228.1	39,700
230	80	70.9	224.8	32,400
230	90	68.3	221.0	27,300
230	100	65.6	216.7	23,100
230	110	62.8	211.8	19,700
230	120	59.9	206.3	16,900
230	130	57.0	200.0	14,600
230	140	54.0	193.1	12,700
230	150	50.8	185.3	11,000
230	160	47.5	176.6	9,600
230	170	44.0	166.7	8,300
230	180	40.3	155.5	7,200
230	190	36.2	142.7	6,200
230	200	31.7	127.7	5,300
230	210	26.6	109.5	4,500
240	42	81.1	244.7	45,400
240	45	80.4	244.2	44,900
240	50	79.2	243.3	44,300
240	60	76.7	241.1	43,300
240	70	74.3	238.5	39,300
240	80	71.8	235.4	32,000
240	90	69.2	231.8	26,900
240	100	66.6	227.7	22,700
240	110	64.0	223.0	19,300
240	120	61.3	217.8	16,500
240	130	58.5	211.9	14,200
240	140	55.7	205.4	12,300
240	150	52.7	198.1	10,600
240	160	49.7	190.0	9,200
240	170	46.4	180.9	7,900
240	180	43.0	170.7	6,800
240	190	39.4	159.1	5,800
240	200	35.4	145.9	4,900
240	210	31.0	130.5	4,100

RATED LOADS APPEARING IN SHADED AREAS ARE BASED ON STRUCTURAL OR OTHER FACTORS RATHER THAN STABILITY.

READ AND UNDERSTAND LIFTING CAPACITY NOTES ON A6-829-800021 LOCATED IN THE FRONT OF THIS MANUAL BEFORE OPERATING THIS MACHINE.

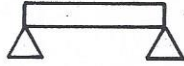
† LMI OPERATING CODE. REFER TO LMI MANUAL FOR OPERATING INSTRUCTIONS.

69147  
SERIAL NUMBER

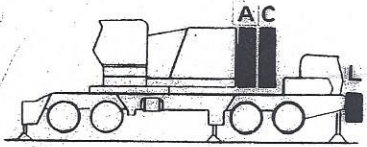
HL150T  
IDENTIFICATION



68A BOOM - ON OUTRIGGERS 360°  
85% STABILITY



CAPACITY IN POUNDS,  
WITH A C + L COUNTERWEIGHTS



COUNTERWEIGHT CONFIGURATION

	CAPACITY IN POUNDS, WITH A C + L COUNTERWEIGHTS					COUNTERWEIGHT CONFIGURATION									
	BOOM LGTH	LOAD RAD	BOOM ANG	SHEAVE HGT	RATED LOAD	BOOM LGTH	LOAD RAD	BOOM ANG	SHEAVE HGT	RATED LOAD	BOOM LGTH	LOAD RAD	BOOM ANG	SHEAVE HGT	RATED LOAD
1002	50	12	81.9	57.1	300,000	80	50	55.5	73.1	59,700	120	80	51.1	100.4	30,400
	50	13	80.7	57.0	294,900	80	60	46.2	64.7	46,300	120	90	44.6	91.2	25,800
	50	14	79.6	56.8	273,400	80	70	34.9	52.6	37,400	120	100	37.2	79.4	22,100
	50	15	78.4	56.5	254,000	80	80	18.4	31.9	31,000	120	110	28.3	63.5	19,100
	50	16	77.2	56.3	230,000						120	120	14.9	37.4	16,600
	50	17	76.0	56.0	224,100	90	15	81.0	96.5	158,700	130	25	81.1	136.1	147,600
	50	18	74.8	55.7	211,000	90	20	80.4	96.3	188,400	130	30	76.9	135.1	121,700
	50	19	73.6	55.4	199,000	90	25	77.1	95.3	148,300	130	35	76.6	134.0	100,200
	50	20	72.4	55.1	189,500	90	30	73.8	93.9	123,300	130	40	74.3	132.7	81,800
	50	25	66.2	53.1	150,400	90	35	70.5	92.2	100,800	130	45	72.0	131.1	68,700
50	30	59.7	50.4	124,300	90	40	67.0	90.2	82,400	130	50	69.7	129.3	58,900	
50	35	52.7	46.8	100,500	90	45	63.5	87.8	69,400	130	60	64.9	125.0	45,500	
50	40	44.9	42.2	82,300	90	50	59.8	85.0	59,700	130	70	59.9	119.6	36,600	
50	45	35.8	36.0	69,300	90	60	52.1	78.0	46,300	130	80	54.6	113.1	30,200	
50	50	23.7	26.8	59,600	90	70	43.4	68.7	37,400	130	90	49.0	105.1	25,600	
					90	80	32.8	55.6	31,100	130	100	42.8	95.2	21,900	
					90	90	17.3	33.4	26,300	130	110	35.7	82.7	19,000	
										130	120	27.1	65.9	16,500	
										130	130	14.3	38.7	14,500	
1003	60	14	81.3	66.9	273,100	100	20	81.3	106.5	188,000	140	27	80.9	145.9	136,600
	60	15	80.3	66.8	254,500	100	25	78.4	105.5	148,900	140	30	78.7	145.0	121,200
	60	16	79.4	66.6	238,200	100	30	75.9	104.3	122,900	140	35	77.6	144.3	100,100
	60	17	78.4	66.3	223,000	100	35	72.5	102.8	100,700	140	40	75.5	143.0	81,700
	60	18	77.4	66.1	211,000	100	40	69.4	101.0	82,300	140	45	73.4	141.6	68,500
	60	19	76.4	65.8	199,000	100	45	66.3	98.9	69,300	140	50	71.2	139.9	58,700
	60	20	75.4	65.6	189,000	100	50	63.1	96.5	59,500	140	60	66.8	136.0	45,300
	60	25	70.4	63.9	150,100	100	60	56.5	90.5	46,200	140	70	62.3	131.1	36,300
	60	30	65.2	61.8	124,100	100	70	49.2	82.7	37,200	140	80	57.5	125.2	29,900
	60	35	59.8	59.0	100,700	100	80	41.0	72.5	30,900	140	90	52.5	118.1	25,400
60	40	54.0	55.6	82,400	100	90	31.1	58.4	26,200	140	100	47.1	109.4	21,700	
60	45	47.7	51.4	69,400	100	100	16.4	34.8	22,400	140	110	41.1	98.9	18,700	
60	50	40.7	46.0	59,800						140	120	34.3	85.8	16,300	
60	60	21.5	28.6	46,300						140	130	26.1	68.2	14,200	
										140	140	13.7	39.8	12,500	
1004	70	16	80.9	76.7	237,000	110	22	81.1	116.3	169,900	150	28	81.2	155.8	130,200
	70	17	80.1	76.6	223,600	110	25	79.5	115.7	148,500	150	30	80.4	155.5	120,800
	70	18	79.2	76.3	210,000	110	30	76.8	114.6	122,500	150	35	78.4	154.5	99,900
	70	19	78.4	76.1	199,000	110	35	74.1	113.3	100,600	150	40	76.5	153.4	81,500
	70	20	77.6	75.9	189,000	110	40	71.4	111.7	82,200	150	45	74.5	152.0	68,300
	70	25	73.3	74.5	149,900	110	45	68.6	109.8	69,100	150	50	72.5	150.5	58,500
	70	30	69.0	72.7	123,900	110	50	65.8	107.6	59,300	150	60	68.4	146.9	45,100
	70	35	64.5	70.4	100,800	110	60	59.9	102.3	46,000	150	70	64.3	142.4	36,100
	70	40	59.8	67.7	82,500	110	70	53.6	95.6	37,000	150	80	59.9	137.0	29,700
	70	45	54.9	64.4	69,500	110	80	46.7	87.1	30,700	150	90	55.4	130.5	25,100
70	50	49.6	60.3	59,800	110	90	39.0	76.0	26,000	150	100	50.5	122.8	21,400	
70	60	37.5	49.4	46,400	110	100	29.6	61.0	22,300	150	110	45.4	113.7	18,400	
70	70	19.8	30.3	37,500	110	110	15.6	36.2	19,300	150	120	39.6	102.6	16,000	
										150	130	33.1	88.8	14,000	
										150	140	25.2	70.5	12,300	
										150	150	13.3	41.0	10,800	
1005	80	17	81.3	86.7	223,200	120	24	80.9	126.1	154,600					
	80	18	80.6	86.5	210,400	120	25	80.4	125.9	148,000					
	80	19	79.9	86.3	199,000	120	30	77.9	124.9	122,600					
	80	20	79.1	86.1	188,700	120	35	75.5	123.7	100,500					
	80	25	75.5	84.9	149,500	120	40	73.0	122.2	82,000					
	80	30	71.7	83.4	123,500	120	45	70.5	120.5	68,900					
	80	35	67.9	81.4	100,800	120	50	67.9	118.5	59,100					
	80	40	63.9	79.1	82,500	120	60	62.6	113.8	45,700					
	80	45	59.8	76.3	69,400	120	70	57.1	107.8	36,800					

RATED LOADS APPEARING IN SHADED AREAS ARE BASED ON STRUCTURAL OR OTHER FACTORS RATHER THAN STABILITY.

READ AND UNDERSTAND LIFTING CAPACITY NOTES ON A6-829-800021 LOCATED IN THE FRONT OF THIS MANUAL BEFORE OPERATING THIS MACHINE.

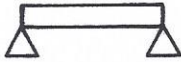
†LMI OPERATING CODE. REFER TO LMI MANUAL FOR OPERATING INSTRUCTIONS.

69147  
SERIAL NUMBER

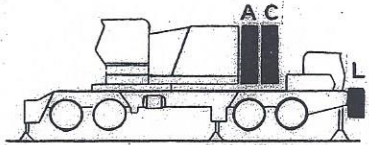
HL150T  
IDENTIFICATION



**68A BOOM - ON OUTRIGGERS 360°  
85% STABILITY**



**CAPACITY IN POUNDS  
WITH A C + L COUNTERWEIGHTS**



**COUNTERWEIGHT CONFIGURATION**

	BOOM					RATED LOAD		BOOM					RATED LOAD		BOOM					RATED LOAD			
	LGTH	LOAD RAD	BOOM ANG	SHEAVE HGT	RATED LOAD			LGTH	LOAD RAD	BOOM ANG	SHEAVE HGT	RATED LOAD			LGTH	LOAD RAD	BOOM ANG	SHEAVE HGT	RATED LOAD				
1013	160	30	81.0	165.6	128,400		190	45	77.8	193.3	67,300	1019	220	30	81.1	225.0	56,800	1020	240	42	81.1	244.7	45,400
	160	35	79.2	164.7	99,800		190	50	76.3	192.1	57,800		220	40	80.8	224.8	56,800		240	45	80.4	244.2	44,900
	160	40	77.3	163.6	81,300		190	60	73.1	189.3	44,100		220	45	79.5	223.9	55,600		240	50	79.2	243.3	44,300
	160	45	75.5	162.4	68,100		190	70	70.0	185.9	35,000		220	50	78.2	222.9	54,800		240	55	78.7	242.7	43,200
	160	50	73.6	161.0	58,200		190	80	66.7	181.8	28,800		220	60	75.5	220.5	43,200		240	60	76.1	230.8	43,000
	160	60	69.8	157.6	44,800		190	90	63.4	177.1	24,000		220	70	72.8	217.6	34,100		240	70	73.6	228.1	33,800
	160	70	66.0	153.4	35,800		190	100	59.9	171.6	20,300		220	80	70.0	214.2	27,900		240	80	70.9	224.8	27,700
	160	80	62.0	148.5	29,400		190	110	56.4	165.3	17,300		220	90	67.2	210.2	23,100		240	90	68.3	221.0	22,800
	160	90	57.8	142.6	24,800		190	120	52.6	158.1	14,900		220	100	64.4	205.6	19,300		240	100	65.6	216.7	19,100
	160	100	53.4	135.6	21,100		190	130	48.7	149.8	12,900		220	110	61.4	200.4	16,300		240	110	62.8	211.8	16,100
	160	110	48.8	127.4	18,100		190	140	44.5	140.2	11,200		220	120	58.4	194.6	13,900		240	120	59.9	206.3	13,600
	160	120	43.8	117.7	15,700		190	150	40.0	129.1	9,700		220	130	55.3	188.0	11,800		240	130	57.0	200.0	11,600
	160	130	38.3	106.1	13,700		190	160	35.0	115.9	8,400		220	140	52.0	180.5	10,100		240	140	54.0	193.1	9,800
	160	140	32.0	91.6	12,000		190	170	29.3	99.7	7,300		220	150	48.6	172.1	8,600		240	150	50.8	185.3	8,400
	160	150	24.3	72.6	10,500		190	180	22.3	78.7	6,400		220	160	45.1	162.6	7,400		240	160	47.5	176.6	7,100
160	160	12.8	42.1	9,200		190	190	11.7	45.2	5,500	220	170	41.2	151.9	6,200	240	170	44.0	166.7	6,000			
1014	170	31	81.2	175.6	113,800		200	36	81.1	205.2	75,800	1021	230	41	81.0	234.8	50,700	1022	250	43	81.0	254.7	40,000
	170	35	79.8	174.9	99,500		200	40	79.9	204.5	74,600		230	45	80.0	234.1	49,900		250	45	80.4	254.2	39,500
	170	40	78.1	173.9	81,000		200	45	78.4	203.5	67,000		230	50	78.7	233.1	49,200		250	50	79.2	253.7	38,800
	170	45	76.4	172.7	67,800		200	50	77.0	202.4	57,400		230	55	77.1	232.1	48,500		250	55	77.6	253.3	38,300
	170	50	74.6	171.4	58,200		200	60	74.0	199.7	43,600		230	60	76.1	230.8	43,000		250	60	74.8	251.1	43,500
	170	60	71.1	168.2	44,600		200	70	71.0	196.5	34,500		230	70	73.6	228.1	33,800		250	70	71.9	207.1	34,400
	170	70	67.5	164.4	35,500		200	80	67.9	192.7	28,400		230	80	70.9	224.8	27,700		250	80	69.0	203.5	28,300
	170	80	63.8	159.7	29,100		200	90	64.8	188.2	23,500		230	90	68.3	221.0	22,800		250	90	66.1	199.3	23,400
	170	90	59.9	154.3	24,600		200	100	61.6	183.1	19,800		230	100	65.6	216.7	19,100		250	100	63.0	194.4	19,700
	170	100	55.9	147.9	20,900		200	110	58.3	177.2	16,800		230	110	62.8	211.8	16,100		250	110	59.9	188.9	16,700
	170	110	51.7	140.5	17,900		200	120	54.8	170.5	14,400		230	120	60.3	206.3	13,600		250	120	56.7	182.7	14,300
	170	120	47.3	131.8	15,500		200	130	51.2	162.9	12,300		230	130	58.4	194.6	13,900		250	130	53.4	175.6	12,200
	170	130	42.4	121.6	13,500		200	140	47.4	154.2	10,600		230	140	55.9	188.9	12,900		250	140	49.9	167.6	10,500
	170	140	37.1	109.4	11,800		200	150	43.4	144.2	9,100		230	150	52.0	180.5	10,100		250	150	46.2	158.5	9,000
	170	150	31.0	94.4	10,300		200	160	39.0	132.6	7,900		230	160	48.6	172.1	8,600		250	160	42.2	148.1	7,800
170	160	23.6	74.7	9,000		200	170	34.1	118.9	6,700	230	170	44.0	166.7	8,400	250	170	38.0	136.1	6,700			
170	170	12.4	43.1	7,900		200	180	28.5	102.3	5,800	230	180	40.3	155.5	7,400	250	180	33.3	121.9	5,700			
						200	190	21.7	80.6	4,900	230	190	36.2	142.7	6,000	250	190	27.8	104.8	4,800			
						200	200	11.4	46.2	4,100	230	200	31.7	127.7	5,000	250	200	21.2	82.5	4,000			
1015	180	33	81.0	185.4	99,800		210	37	81.2	215.2	67,500	1023	260	42	81.1	264.7	45,400	1024	280	44	81.1	284.7	35,000
	180	35	80.4	185.1	99,100		210	40	80.4	214.7	68,700		260	45	80.4	264.2	44,900		280	45	80.9	284.2	34,900
	180	40	78.8	184.1	80,900		210	45	79.0	213.7	65,500		260	50	79.2	263.3	44,300		280	50	79.2	283.3	34,800
	180	45	77.1	183.0	67,600		210	50	77.6	212.7	57,300		260	55	78.1	262.3	43,700		280	55	78.1	282.3	34,700
	180	50	75.5	181.8	58,000		210	60	74.8	210.1	43,500		260	60	76.1	261.3	43,100		280	60	76.1	281.3	34,600
	180	60	72.2	178.8	44,300		210	70	71.9	207.1	34,400		260	70	74.3	258.5	33,500		280	70	74.3	278.5	33,500
	180	70	68.8	175.2	35,300		210	80	69.0	203.5	28,300		260	80	71.8	235.4	27,300		280	80	71.8	255.4	27,300
	180	80	65.3	170.9	29,100		210	90	66.1	199.3	23,400		260	90	69.2	231.8	22,500		280	90	69.2	251.8	22,500
	180	90	61.8	165.8	24,300		210	100	63.0	194.4	19,700		260	100	66.6	227.7	18,700		280	100	66.6	247.7	18,700
	180	100	58.1	159.9	20,600		210	110	59.9	188.9	16,700		260	110	64.0	223.0	15,700		280	110	64.0	243.0	15,700
	180	110	54.2	153.1	17,600		210	120	56.7	182.7	14,300		260	120	61.3	217.8	13,200		280	120	61.3	237.8	13,200
	180	120	50.2	145.2	15,200		210	130	53.4	175.6	12,200		260	130	58.5	211.9	11,200		280	130	58.5	231.9	11,200
	180	130	45.8	136.1	13,200		210	140	49.9	167.6	10,500		260	140	55.7	205.4	9,500		280	140	55.7	231.4	9,500
	180	140	41.2	125.4	11,500		210	150	46.2	158.5	9,000		260	150	52.7	198.1	8,000		280	150	52.7	230.1	8,000
	180	150	36.0	112.7	10,000		210	160	42.2	148.1	7,800		260	160	49.7	190.0	6,700		280	160	49.7	229.0	6,700
180	160	30.1	97.1	8,700		210	170	38.0	136.1	6,700	260	170	46.4	180.9	5,600	280	170	46.4	228.9	5,600			
180	170	22.9	76.7	7,600		210	180	33.3	121.9	5,700	260	180	43.0	170.7	4,600	280	180	43.0	227.7	4,600			
180	180	12.1	44.2	6,600		210	190	27.8	104.8	4,800	260	190	39.4	159.1	3,700	280	190	39.4	226.1	3,700			
190	34	81.2	195.4	85,600		210	200	21.2	82.5	4,000	260	200	35.4	145.9	2,900								

RATED LOADS APPEARING IN SHADED AREAS ARE BASED ON STRUCTURAL OR OTHER FACTORS RATHER THAN STABILITY.

READ AND UNDERSTAND LIFTING CAPACITY NOTES ON A6-829-800021 LOCATED IN THE FRONT OF THIS MANUAL BEFORE OPERATING THIS MACHINE.

†LMI OPERATING CODE. REFER TO LMI MANUAL FOR INSTRUCTIONS.

69147  
SERIAL NUMBER

HL150T  
IDENTIFICATION