



GROVE®

LOAD CHARTS TTS/TMS870

85% STABILITY

84170
SERIAL NUMBER





CONTENTS

GENERAL NOTES	6
LIFTING AREA DIAGRAM/WEIGHT REDUCTIONS / WIRE ROPE INFO	7
RANGE DIAGRAM	8
COUNTERWEIGHT CONFIGURATION DIAGRAMS	9

MODE A

WITH **18,000 lb** (8,165 kg) REMOVABLE COUNTERWEIGHT INSTALLED:

ON OUTRIGGERS FULLY EXTENDED	10
ON OUTRIGGERS 50% EXTENDED	11
ON OUTRIGGERS 0% EXTENDED (FULLY RETRACTED)	PROHIBITED

WITH **12,500 lb** (5,670 kg) REMOVABLE COUNTERWEIGHT INSTALLED:

ON OUTRIGGERS FULLY EXTENDED	12
ON OUTRIGGERS 50% EXTENDED	13
ON OUTRIGGERS 0% EXTENDED (FULLY RETRACTED)	PROHIBITED

WITH **8,500 lb** (3,856 kg) REMOVABLE COUNTERWEIGHT INSTALLED:

ON OUTRIGGERS FULLY EXTENDED	14
ON OUTRIGGERS 50% EXTENDED	15
ON OUTRIGGERS 0% EXTENDED (FULLY RETRACTED)	16

WITH **5,500 lb** (2,495 kg) REMOVABLE COUNTERWEIGHT INSTALLED:

ON OUTRIGGERS FULLY EXTENDED	17
OUTTRIGGERS 50% EXTENDED	18
ON OUTRIGGERS 0% EXTENDED (FULLY RETRACTED)	19

WITH **3,000 lb** (1,361 kg) REMOVABLE COUNTERWEIGHT INSTALLED:

ON OUTRIGGERS FULLY EXTENDED	20
ON OUTRIGGERS 50% EXTENDED	21
ON OUTRIGGERS 0% EXTENDED (FULLY RETRACTED)	22

WITH **NO** REMOVABLE COUNTERWEIGHT INSTALLED:

ON OUTRIGGERS FULLY EXTENDED	23
ON OUTRIGGERS 50% EXTENDED	24
ON OUTRIGGERS 0% EXTENDED (FULLY RETRACTED)	25

MODE B

WITH **18,000 lb** (8,165 kg) REMOVABLE COUNTERWEIGHT INSTALLED:

ON OUTRIGGERS FULLY EXTENDED:

MAIN BOOM	27
FOLDING EXTENSION WITH 125 FT. (38.1 m) MAIN BOOM	28
FOLDING EXTENSION WITH 138 FT. (42.1 m) MAIN BOOM	29

ON OUTRIGGERS 50% EXTENDED:

MAIN BOOM	30
FOLDING EXTENSION WITH 125 FT. (38.1 m) MAIN BOOM	31
FOLDING EXTENSION WITH 138 FT. (42.1 m) MAIN BOOM	32

ON OUTRIGGERS 0% EXTENDED (FULLY RETRACTED)PROHIBITED

**MODE B (Continued)****WITH 12,500 lb (5,670 kg) REMOVABLE COUNTERWEIGHT INSTALLED:**

ON OUTRIGGERS FULLY EXTENDED:

MAIN BOOM.....	33
FOLDING EXTENSION WITH 125 FT. (38.1 m) MAIN BOOM	34
FOLDING EXTENSION WITH 138 FT. (42.1 m) MAIN BOOM	35

ON OUTRIGGERS 50% EXTENDED:

MAIN BOOM.....	36
FOLDING EXTENSION WITH 125 FT. (38.1 m) MAIN BOOM	37
FOLDING EXTENSION WITH 138 FT. (42.1 m) MAIN BOOM	38

ON OUTRIGGERS 0% EXTENDED (FULLY RETRACTED) PROHIBITED

WITH 8,500 lb (3,856 kg) REMOVABLE COUNTERWEIGHT INSTALLED:

ON OUTRIGGERS FULLY EXTENDED:

MAIN BOOM.....	39
FOLDING EXTENSION WITH 125 FT. (38.1 m) MAIN BOOM	40
FOLDING EXTENSION WITH 138 FT. (42.1 m) MAIN BOOM	41

ON OUTRIGGERS 50% EXTENDED:

MAIN BOOM.....	42
FOLDING EXTENSION WITH 125 FT. (38.1 m) MAIN BOOM	43
FOLDING EXTENSION WITH 138 FT. (42.1 m) MAIN BOOM	44

ON OUTRIGGERS 0% EXTENDED (FULLY RETRACTED):

MAIN BOOM.....	45
----------------	----

WITH 5,500 lb (2,495 kg) REMOVABLE COUNTERWEIGHT INSTALLED:

ON OUTRIGGERS FULLY EXTENDED:

MAIN BOOM.....	46
FOLDING EXTENSION WITH 125 FT. (38.1 m) MAIN BOOM	47
FOLDING EXTENSION WITH 138 FT. (42.1 m) MAIN BOOM	48

ON OUTRIGGERS 50% EXTENDED:

MAIN BOOM.....	49
FOLDING EXTENSION WITH 125 FT. (38.1 m) MAIN BOOM	50
FOLDING EXTENSION WITH 138 FT. (42.1 m) MAIN BOOM	51

ON OUTRIGGERS 0% EXTENDED (FULLY RETRACTED):

MAIN BOOM.....	52
----------------	----

WITH 3,000 lb (1,361 kg) REMOVABLE COUNTERWEIGHT INSTALLED:

ON OUTRIGGERS FULLY EXTENDED:

MAIN BOOM.....	53
FOLDING EXTENSION WITH 125 FT. (38.1 m) MAIN BOOM	54
FOLDING EXTENSION WITH 138 FT. (42.1 m) MAIN BOOM	55

ON OUTRIGGERS 50% EXTENDED:

MAIN BOOM.....	56
FOLDING EXTENSION WITH 125 FT. (38.1 m) MAIN BOOM	57
FOLDING EXTENSION WITH 138 FT. (42.1 m) MAIN BOOM	58

ON OUTRIGGERS 0% EXTENDED (FULLY RETRACTED):

MAIN BOOM.....	59
----------------	----



MODE B (Continued)

WITH NO REMOVABLE COUNTERWEIGHT INSTALLED:

ON OUTRIGGERS FULLY EXTENDED:

MAIN BOOM	60
FOLDING EXTENSION WITH 125 FT. (38.1 m) MAIN BOOM	61
FOLDING EXTENSION WITH 138 FT. (42.1 m) MAIN BOOM	62

ON OUTRIGGERS 50% EXTENDED:

MAIN BOOM	63
FOLDING EXTENSION WITH 125 FT. (38.1) MAIN BOOM	64
FOLDING EXTENSION WITH 138 FT. (42.1 m) MAIN BOOM	65

ON OUTRIGGERS 0% EXTENDED (FULLY RETRACTED):.

MAIN BOOM	66
-----------------	----

LUBRICATION CHARTS	67-70
--------------------------	-------



NOTES FOR LIFTING CAPACITIES

GENERAL:

1. Rated loads as shown on lift chart pertain to this machine as originally manufactured and equipped. Modifications to the machine or use of optional equipment other than that specified can result in a reduction of capacity.
2. Construction equipment can be hazardous if improperly operated or maintained. Operation and maintenance of this machine shall be in compliance with the information in the Operator's and Safety Handbook, Service Manual and Parts Manual supplied with this machine. If these manuals are missing, order replacements from the manufacturer through the distributor.
3. The operator and other personnel associated with machine shall fully acquaint themselves with the latest American National Safety Standards (ASME/ANSI) for cranes.

SETUP:

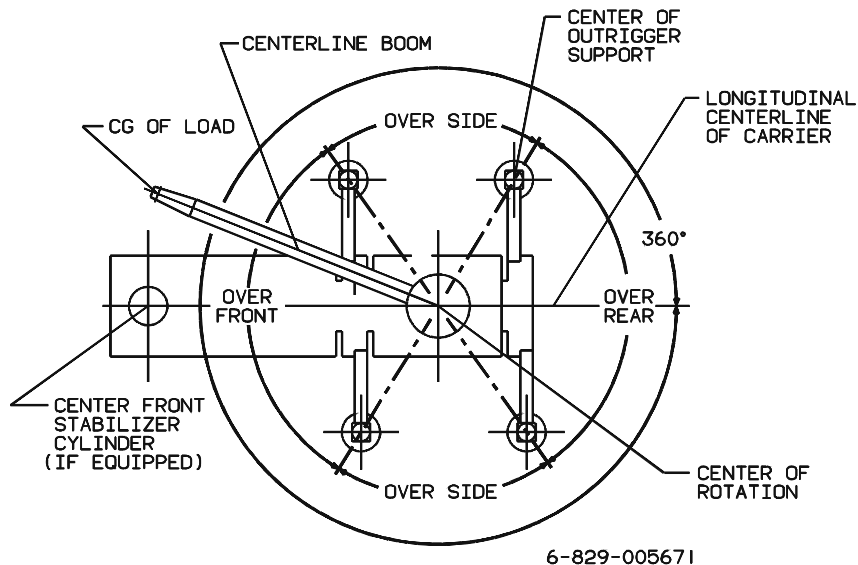
1. The machine shall be level and on a firm supporting surface. Depending on the nature of the supporting surface, it may be necessary to have structural supports under the outrigger floats or tires to spread the load to a larger bearing surface.
2. For outrigger operation, all outriggers shall be properly extended with tires raised free of crane weight before operating the boom or lifting loads.
3. When machine is equipped with center front stabilizer, the front stabilizer shall be set in accordance with instructions in Operator's & Safety Handbook.
4. When equipped with removable and/or extendible counterweight, the proper counterweight shall be installed and fully extended before and during operation.
5. If crane is approved by the manufacturer for on-rubber lifting, tires shall be inflated to the recommended pressure before lifting on rubber.
6. With certain boom and hoist tackle combinations, maximum capacities may not be obtainable with standard cable lengths.
7. Unless approved by the crane manufacturer, do not travel with boom extension or jib erected. Refer to the Operator's and Safety Handbook for jobsite travel information.
8. When operating on rubber, do not swing boom over the sides. Loss of backward stability will occur causing a backward tipping condition.
9. When operating on retracted outriggers, use of 18000 lb. or 12500 lb. counterweights are prohibited. Loss of backward stability will occur causing a backward tipping condition.

OPERATION:

1. Rated loads at rated radius shall not be exceeded. Do not attempt to tip the machine to determine allowable loads. For clamshell, grapple, magnet or concrete bucket operation, weight of component and load must not exceed 80% of rated lifting capacities.
2. All rated loads have been tested to and meet the requirements of SAE J1063 - Cantilevered Boom Crane Structures - Method of Test, and do not exceed 85% of the tipping load on outriggers fully extended and SAE J1289 - Mobile Crane Stability Ratings [$1.25P < (T-0.1A)$] on outriggers 50% and 0% extended as determined by SAE J765 - Crane Load Stability Test Code.
3. Rated loads include the weight of hookblock, slings and auxiliary lifting devices and their weights shall be subtracted from the listed rating to obtain the net load to be lifted. When more than the minimum required parts of line needed to pick the load are used, the additional rope weight as measured from the lower sheaves of the main boom nose shall be considered part of the load to be lifted. When both the hook block and headache ball are reeved, the lifting device that is NOT in use, including the line as measured from the lower sheave(s) of the nose supporting the unused device shall be considered part of the load.
4. Load ratings are based on freely suspended loads. No attempt shall be made to move a load horizontally in any direction.
5. The maximum in-service wind speed is 20 m.p.h. It is recommended when wind velocity is above 20 m.p.h., the rated loads and boom lengths shall be appropriately reduced. For machines not in-service, the main boom should be retracted and lowered with the swing brake set in wind velocities over 30 m.p.h.
6. Rated loads are for lift crane service only.
7. Do not operate at a radius or boom length where capacities are not listed. At these positions, the machine may overturn without any load on the hook.
8. The maximum load which can be telescoped is not definable because of variations in loadings and crane maintenance, but it is safe to attempt retraction and extension of the boom within the limits of the capacity chart.
9. When the boom length or lift radius or both are between values listed, the smallest load shown at either the next larger radius or next longer or shorter boom length shall be used.
10. For safe operation, the user shall make due allowances for his particular job conditions, such as: soft or uneven ground, out of level conditions, high winds, side loads, pendulum action, jerking or sudden stopping of loads, experience of personnel, two machine (tandem) lifts, traveling with loads, electric wires, obstacles, hazardous conditions, etc. Side pull on boom, boom extension or jib is extremely dangerous.
11. If machine is equipped with individually controlled powered boom sections, the boom sections must be extended equally at all times.
12. Never handle personnel with this machine unless the requirements of the applicable national, state, and local regulations and safety codes are met.
13. Keep load handling devices a minimum of 42 inches below boom head at all times.
14. The boom angle before loading should be greater than the loaded boom angle to account for deflection.
15. Capacities appearing above the bold line are based on structural strength and tipping should not be relied upon as a capacity limitation.
16. Capacities for the 35 ft. boom length shall be lifted with boom fully retracted. If boom is not fully retracted, capacities shall not exceed those shown for the 61 ft. boom length.
17. Radii less than 30 ft. not recommended when lifting over front of machine.
18. When operating the machine in the "On Outriggers 50% Extended (15' 5" spread)" mode, the outrigger beam pins must be engaged. When operating machine in the "On Outriggers 0% Extended (7' 7" spread)" mode, the outrigger beams must be fully retracted. Failure to follow these precautions could result in structural damage or loss of stability of the machine.
19. When utilizing the 31 ft. - 56 ft. folding boom extension, Mode "B" must be selected on the LMI. When LMI operating codes xx21 thru xx43 are selected, the main boom will sequence as follows; inner-mid 100%, then center-mid 100%, then outer-mid & fly.
20. Regardless of counterweight and outrigger spread configuration, no deduct is required from the main boom charts for a stowed boom extension. However, the LMI system still monitors the effect of the stowed boom extension and will display a load value which will vary with changes in boom length and boom angle. To achieve maximum main boom capacities, the boom extension must be removed from the crane.
21. **WARNING:** Lifting with the 31 ft. extension base, with the 25 ft. extension fly either erected or folded along side of extension base, is strictly prohibited.
22. Do not lift loads when boom is fully lowered. The Load Moment Indicator (LMI) senses pressure and will not provide warnings or lockout. The crane can become overloaded if lift cylinder(s) is fully retracted.
23. The maximum outrigger pad load is 94,800 lb.

DEFINITIONS:

1. Operating Radius: Horizontal distance from a projection of the axis of rotation to the supporting surface before loading to the center of the vertical hoist line or tackle with load applied.
2. Loaded Boom Angle (Shown in Parenthesis on Main Boom Capacity Chart): is the angle between the boom base section and the horizontal, after lifting the rated load at the rated radius with the rated boom length.
3. Working Area: Areas measured in a circular arc about the center line of rotation as shown on the working area diagram.
4. Freely Suspended Load: Load hanging free with no direct external force applied except by the lift cable.
5. Side Load: Horizontal force applied to the lifted load either on the ground or in the air.



BOLD LINES DETERMINE THE LIMITING POSITION OF ANY
LOAD FOR OPERATION WITHIN WORKING AREAS INDICATED
WORKING AREA DIAGRAM

LINE PULLS AND REEVING INFORMATION

HOISTS	CABLE SPECS.	PERMISSIBLE LINE PULLS	NOMINAL CABLE LENGTH
Main & Aux. Model 30	3/4" (19 mm) 18x19 Class Rotation Resistant Min. Breaking Strength 64,600 lb	12,920 lb	620 ft.
Main & Aux. Model 30	3/4" (19 mm) 35x7 Class Rotation Resistant (Non-rotating) Min. Breaking Strength 85,800 lb	12,920 lb	620 ft.

The approximate weight of 3/4" wire rope is 1.5 lb/ft.

WEIGHT REDUCTIONS FOR LOAD HANDLING DEVICES

31 FT. - 56 FT. FOLDING BOOM EXTENSION	
*31 ft. Extension (Erected)	4,048 lb
*56 ft. Extension (Erected)	8,941 lb

*Reduction of main boom capacities

AUXILIARY BOOM NOSE	116 lb
HOOKBLOCKS and HEADACHE BALLS:	
70 ton, 6 Sheave	1,674 lb+
70 ton, 6 Sheave w/cheekplates	2,010 lb+
45 ton, 3 Sheave	876 lb+
45 ton, 3 Sheave w/cheekplates	1,066 lb+
15 ton, 1 Sheave	380 lb+
10 ton Headache Ball	560 lb+

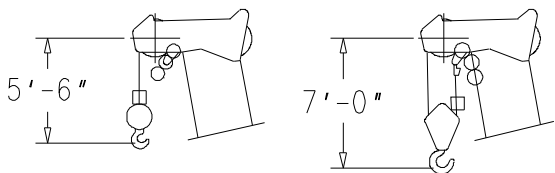
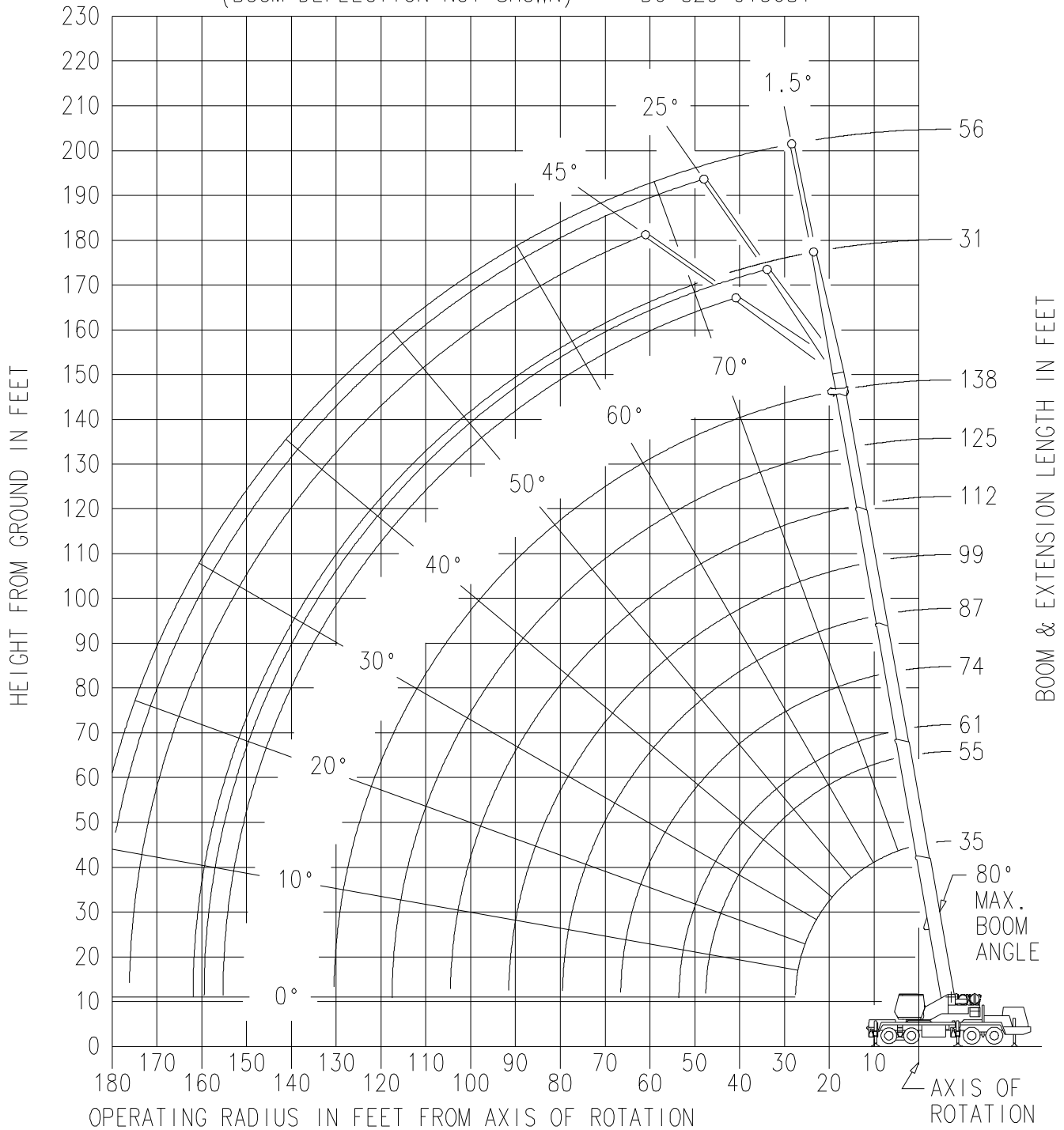
+Refer to rating plate for actual weight.

When lifting over swingaway and/or jib combinations, deduct total weight of all load handling devices reeved over main boom nose directly from swingaway or jib capacity.

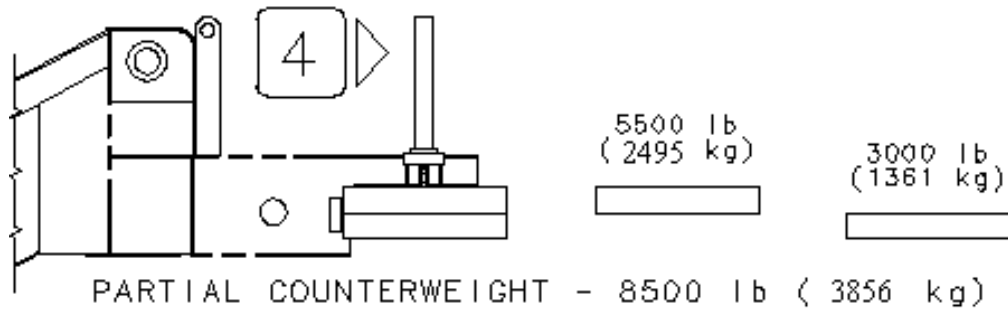
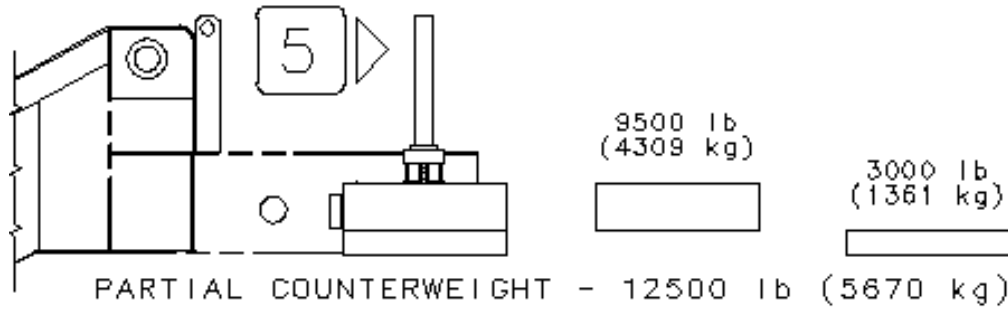
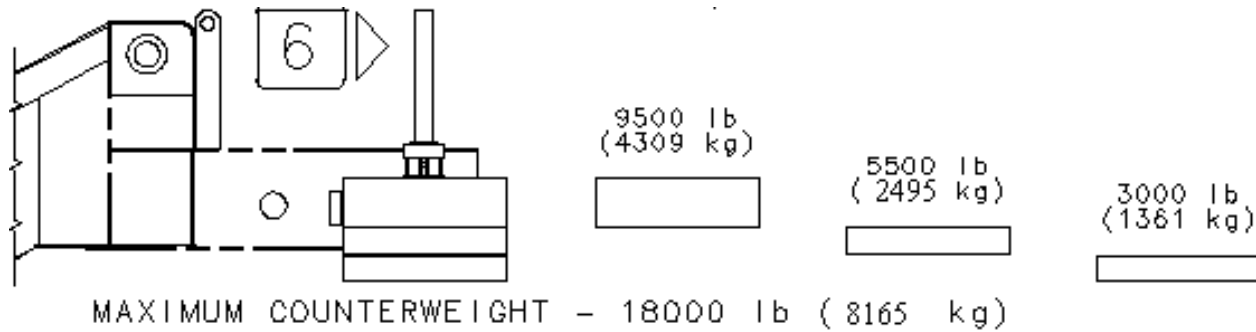
NOTE: All load handling devices and boom attachments are considered part of the load and suitable allowances **MUST BE MADE** for their combined weights. Weights are for Grove furnished equipment.



WORKING RANGE DIAGRAM
(BOOM DEFLECTION NOT SHOWN) D6-829-013681



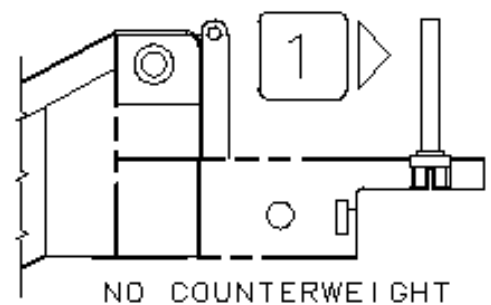
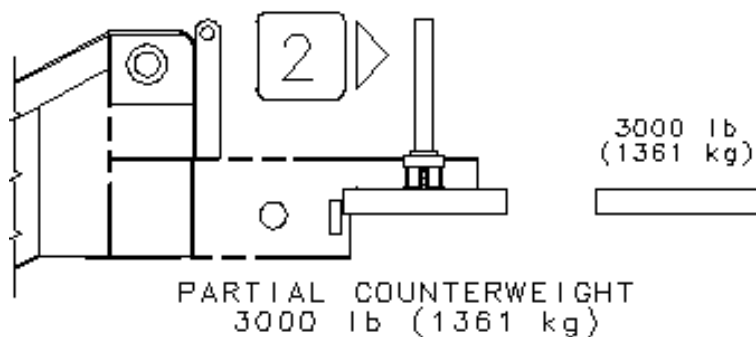
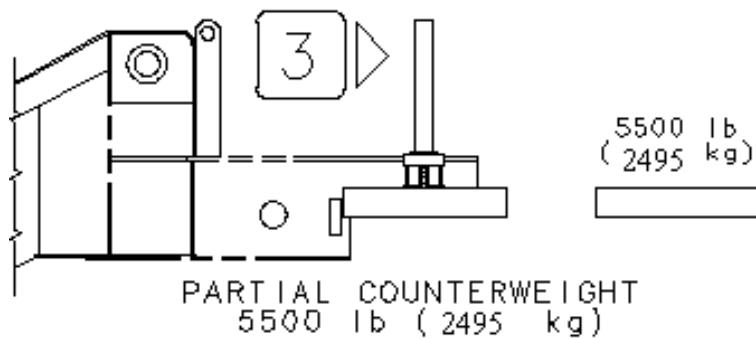
DIMENSIONS ARE FOR LARGEST GROVE FURNISHED HOOK BLOCK AND HEADACHE BALL, WITH ANTI-TWO BLOCK ACTIVATED.



LMI
CONSOLE
COUNTER-
WEIGHT
OPTION



SELECTION
BUTTON



C6-829-014611



**RATED LIFTING CAPACITIES IN POUNDS WITH 18,000 lb COUNTERWEIGHT
35 FT. - 138 FT. BOOM (MODE A)
ON OUTRIGGERS FULLY EXTENDED - 360°**

Radius in Feet	#0501						
	Main Boom Length in Feet						
	35	61	74	87	99	112	138
10	+140,000 (65.5)	42,900 (77.5)	*32,100 (80)				
12	110,000 (62)	42,000 (75.5)	32,100 (78.5)	*31,850 (80)			
15	95,800 (56)	36,550 (72.5)	32,100 (76)	31,850 (78.5)	*21,350 (80)		
20	77,250 (44.5)	29,400 (67.5)	31,350 (71.5)	28,850 (75)	21,350 (77.5)	19,000 (79.5)	
25	58,500 (29.5)	24,350 (62)	26,450 (67.5)	25,050 (71.5)	20,850 (74.5)	18,150 (77)	*19,000 (80)
30		20,500 (56.5)	22,300 (63)	21,550 (68)	18,650 (71.5)	17,300 (74.5)	18,300 (78.5)
35		17,450 (50)	19,100 (58.5)	18,500 (64)	16,900 (68.5)	16,450 (71.5)	17,650 (76.5)
40		15,050 (43)	16,500 (53.5)	16,000 (60)	15,300 (65)	15,650 (69)	17,000 (74)
45		13,100 (35)	14,450 (48.5)	14,000 (56)	13,650 (61.5)	14,150 (66)	16,350 (72)
50	See Note 16	11,450 (24.5)	12,750 (42.5)	12,350 (52)	12,100 (58.5)	12,700 (63)	15,700 (69.5)
60			10,050 (28)	9,780 (42.5)	9,580 (51)	10,150 (57)	13,300 (65)
70				7,860 (30)	7,710 (42.5)	8,220 (50)	11,050 (60)
80					6,270 (32)	6,730 (42.5)	9,120 (55)
90					4,800 (15.5)	5,550 (33.5)	7,380 (49.5)
100						4,010 (21)	5,500 (43)
110							4,000 (36)
120							2,760 (27)
130							1,720 (9.5)
Minimum boom angle (deg.) for indicated length (no load)						0	9
Maximum boom length (ft.) at 0 degree boom angle (no load)						112	125

NOTE: () Boom angles are in degrees.

#LMI operating code. Refer to LMI manual for instructions.

*This capacity is based on maximum boom angle.

+12 parts line required to lift this capacity (using aux. boom nose). Refer to Operator's and Safety Handbook for reeving diagram.

Lifting Capacities On Outriggers Fully Extended - 360° At Zero Degree Boom Angle							
Boom Angle	Main Boom Length in Feet						
	35	61	74	87	99	112	
0°	26,400 (28.2)	10,150 (53.8)	6,240 (66.6)	3,420 (79.4)	2,440 (92.2)	1,680 (105)	

NOTE: () Reference radii in feet.

A6-829-015264A

Ext. %							
Inner-mid	0	0	0	0	0	0	100
Center-mid	0	100	100	100	100	100	100
Outer-mid	0	0	25	50	75	100	100
Fly	0	0	25	50	75	100	100



**RATED LIFTING CAPACITIES IN POUNDS WITH 18,000 lb COUNTERWEIGHT
35 FT. - 138 FT. BOOM (MODE A)
ON OUTRIGGERS 50% EXTENDED - 360°**

Radius in Feet	#4501						
	Main Boom Length in Feet						
	35	61	74	87	99	112	138
10	90,500 (65.5)	42,900 (77.5)	*32,100 (80)				
12	79,150 (62)	42,000 (75.5)	32,100 (78.5)	*31,850 (80)			
15	66,050 (56)	36,550 (72.5)	32,100 (76)	31,850 (78.5)	*21,350 (80)		
20	51,950 (44.5)	29,400 (67.5)	31,350 (71.5)	28,850 (75)	21,350 (77.5)	19,000 (79.5)	
25	38,700 (29.5)	24,350 (62)	26,450 (67.5)	25,050 (71.5)	20,850 (74.5)	18,150 (77)	*19,000 (80)
30		20,500 (56.5)	22,300 (63)	21,550 (68)	18,650 (71.5)	17,300 (74.5)	18,300 (78.5)
35		17,450 (50)	19,100 (58.5)	18,500 (64)	16,900 (68.5)	16,450 (71.5)	17,650 (76.5)
40	See Note 16	15,050 (43)	16,500 (53.5)	16,000 (60)	15,300 (65)	15,650 (69)	17,000 (74)
45		12,150 (35)	13,300 (48.5)	13,900 (56)	13,650 (61.5)	14,150 (66)	15,000 (72)
50		9,300 (24.5)	10,450 (42.5)	10,850 (52)	12,100 (58.5)	12,700 (63)	12,500 (69.5)
60			6,330 (28)	6,490 (42.5)	7,880 (51)	8,940 (57)	8,470 (65)
70				3,340 (30)	4,800 (42.5)	5,850 (50)	5,730 (60)
80					2,430 (32)	3,510 (42.5)	3,740 (55)
90						1,700 (33.5)	2,210 (49.5)
100							1,010 (43)
0.1A (lbs.)	1,250	1,060	970	900	850	1,020	1,020
Minimum boom angle (deg.) for indicated length (no load)					16	22	40
Maximum boom length (ft.) at 0 degree boom angle (no load)					87		

NOTE: () Boom angles are in degrees.

#LMI operating code. Refer to LMI manual for instructions.

*This capacity is based on maximum boom angle.

Lifting Capacities On Outriggers 50% Extended - 360° At Zero Degree Boom Angle							
Boom Angle	Main Boom Length in Feet						
	35	61	74	87			
0°	26,400 (28.2)	7,550 (53.8)	4,250 (66.6)	1,060 (79.4)			

NOTE: () Reference radii in feet. A6-829-014918A

Ext. %							
Inner-mid	0	0	0	0	0	0	100
Center-mid	0	100	100	100	100	100	100
Outer-mid	0	0	25	50	75	100	100
Fly	0	0	25	50	75	100	100



**RATED LIFTING CAPACITIES IN POUNDS WITH 12,500 lb COUNTERWEIGHT
35 FT. - 138 FT. BOOM (MODE A)
ON OUTRIGGERS FULLY EXTENDED - 360°**

Radius in Feet	#0601						
	Main Boom Length in Feet						
	35	61	74	87	99	112	138
10	+140,000 (65.5)	42,900 (77.5)	*32,100 (80)				
12	110,000 (62)	42,000 (75.5)	32,100 (78.5)	*31,850 (80)			
15	95,800 (56)	36,550 (72.5)	32,100 (76)	31,850 (78.5)	*21,350 (80)		
20	70,700 (44.5)	29,400 (67.5)	31,350 (71.5)	28,850 (75)	21,350 (77.5)	19,000 (79.5)	
25	53,150 (29.5)	24,350 (62)	26,450 (67.5)	25,050 (71.5)	20,850 (74.5)	18,150 (77)	*19,000 (80)
30		20,500 (56.5)	22,300 (63)	21,550 (68)	18,650 (71.5)	17,300 (74.5)	18,300 (78.5)
35		17,450 (50)	19,100 (58.5)	18,500 (64)	16,900 (68.5)	16,450 (71.5)	17,650 (76.5)
40		15,050 (43)	16,500 (53.5)	16,000 (60)	15,300 (65)	15,650 (69)	17,000 (74)
45		13,100 (35)	14,450 (48.5)	14,000 (56)	13,650 (61.5)	14,150 (66)	16,350 (72)
50	See Note 16	11,450 (24.5)	12,750 (42.5)	12,350 (52)	12,100 (58.5)	12,700 (63)	15,700 (69.5)
60			10,050 (28)	9,780 (42.5)	9,580 (51)	10,150 (57)	13,300 (65)
70				7,860 (30)	7,710 (42.5)	8,220 (50)	11,050 (60)
80					6,270 (32)	6,730 (42.5)	8,650 (55)
90					4,800 (15.5)	5,550 (33.5)	6,430 (49.5)
100						4,010 (21)	4,720 (43)
110							3,360 (36)
120							2,250 (27)
130							1,330 (9.5)
Minimum boom angle (deg.) for indicated length (no load)						0	9
Maximum boom length (ft.) at 0 degree boom angle (no load)						112	125

NOTE: () Boom angles are in degrees.

#LMI operating code. Refer to LMI manual for instructions.

*This capacity is based on maximum boom angle.

+12 parts line required to lift this capacity (using aux. boom nose). Refer to Operator's and Safety Handbook for reeving diagram.

Lifting Capacities On Outriggers Fully Extended - 360° At Zero Degree Boom Angle							
Boom Angle	Main Boom Length in Feet						
	35	61	74	87	99	112	138
0°	26,400 (28.2)	10,150 (53.8)	6,240 (66.6)	3,420 (79.4)	2,440 (92.2)	1,680 (105)	

NOTE: () Reference radii in feet.

A6-829-015265

Ext. %	35	61	74	87	99	112	138
Inner-mid	0	0	0	0	0	0	100
Center-mid	0	100	100	100	100	100	100
Outer-mid	0	0	25	50	75	100	100
Fly	0	0	25	50	75	100	100



**RATED LIFTING CAPACITIES IN POUNDS WITH 12,500 lb COUNTERWEIGHT
35 FT. - 138 FT. BOOM (MODE A)
ON OUTRIGGERS 50% EXTENDED - 360°**

Radius in Feet	#4601						
	Main Boom Length in Feet						
	35	61	74	87	99	112	138
10	90,500 (65.5)	42,900 (77.5)	*32,100 (80)				
12	79,150 (62)	42,000 (75.5)	32,100 (78.5)	*31,850 (80)			
15	66,050 (56)	36,550 (72.5)	32,100 (76)	31,850 (78.5)	*21,350 (80)		
20	51,950 (44.5)	29,400 (67.5)	31,350 (71.5)	28,850 (75)	21,350 (77.5)	19,000 (79.5)	
25	34,550 (29.5)	24,350 (62)	26,450 (67.5)	25,050 (71.5)	20,850 (74.5)	18,150 (77)	*19,000 (80)
30		20,500 (56.5)	22,300 (63)	21,550 (68)	18,650 (71.5)	17,300 (74.5)	18,300 (78.5)
35		17,450 (50)	19,100 (58.5)	18,500 (64)	16,900 (68.5)	16,450 (71.5)	17,650 (76.5)
40	See Note 16	13,650 (43)	14,900 (53.5)	16,000 (60)	15,300 (65)	15,650 (69)	15,300 (74)
45		10,200 (35)	11,400 (48.5)	12,550 (56)	13,600 (61.5)	14,150 (66)	12,550 (72)
50		7,600 (24.5)	8,760 (42.5)	9,880 (52)	10,950 (58.5)	11,950 (63)	10,250 (69.5)
60			4,960 (28)	6,050 (42.5)	7,110 (51)	8,160 (57)	6,590 (65)
70				3,340 (30)	4,490 (42.5)	5,520 (50)	4,100 (60)
80					2,430 (32)	3,510 (42.5)	2,300 (55)
90						1,700 (33.5)	
0.1A (lbs.)	1,250	1,060	970	900	850	1,020	1,020
Minimum boom angle (deg.) for indicated length (no load)					16	22	50
Maximum boom length (ft.) at 0 degree boom angle (no load)					87		

NOTE: () Boom angles are in degrees.

#LMI operating code. Refer to LMI manual for instructions.

*This capacity is based on maximum boom angle.

Lifting Capacities On Outriggers 50% Extended - 360° At Zero Degree Boom Angle							
Boom Angle	Main Boom Length in Feet						
	35	61	74	87			
0°	26,400 (28.2)	5,990 (53.8)	3,170 (66.6)	1,060 (79.4)			

NOTE: () Reference radii in feet.

A6-829-014919A

Ext. %							
Inner-mid	0	0	0	0	0	0	100
Center-mid	0	100	100	100	100	100	100
Outer-mid	0	0	25	50	75	100	100
Fly	0	0	25	50	75	100	100



**RATED LIFTING CAPACITIES IN POUNDS WITH 8,500 lb COUNTERWEIGHT
35 FT. - 138 FT. BOOM (MODE A)
ON OUTRIGGERS FULLY EXTENDED - 360°**

Radius in Feet	#0001						
	Main Boom Length in Feet						
	35	61	74	87	99	112	138
10	+140,000 (65.5)	42,900 (77.5)	*32,100 (80)				
12	110,000 (62)	42,000 (75.5)	32,100 (78.5)	*31,850 (80)			
15	95,800 (56)	36,550 (72.5)	32,100 (76)	31,850 (78.5)	*21,350 (80)		
20	70,700 (44.5)	29,400 (67.5)	31,350 (71.5)	28,850 (75)	21,350 (77.5)	19,000 (79.5)	
25	53,150 (29.5)	24,350 (62)	26,450 (67.5)	25,050 (71.5)	20,850 (74.5)	18,150 (77)	*19,000 (80)
30		20,500 (56.5)	22,300 (63)	21,550 (68)	18,650 (71.5)	17,300 (74.5)	18,300 (78.5)
35		17,450 (50)	19,100 (58.5)	18,500 (64)	16,900 (68.5)	16,450 (71.5)	17,650 (76.5)
40		15,050 (43)	16,500 (53.5)	16,000 (60)	15,300 (65)	15,650 (69)	17,000 (74)
45		13,100 (35)	14,450 (48.5)	14,000 (56)	13,650 (61.5)	14,150 (66)	16,350 (72)
50	See Note 16	11,450 (24.5)	12,750 (42.5)	12,350 (52)	12,100 (58.5)	12,700 (63)	15,700 (69.5)
60			10,050 (28)	9,780 (42.5)	9,580 (51)	10,150 (57)	13,300 (65)
70				7,860 (30)	7,710 (42.5)	8,220 (50)	10,200 (60)
80					6,270 (32)	6,730 (42.5)	7,430 (55)
90					4,800 (15.5)	5,550 (33.5)	5,370 (49.5)
100						4,010 (21)	3,770 (43)
110							2,510 (36)
120							1,480 (27)
Minimum boom angle (deg.) for indicated length (no load)						0	10
Maximum boom length (ft.) at 0 degree boom angle (no load)						112	

NOTE: () Boom angles are in degrees.

#LMI operating code. Refer to LMI manual for instructions.

*This capacity is based on maximum boom angle.

+12 parts line required to lift this capacity (using aux. boom nose). Refer to Operator's and Safety Handbook for reeving diagram.

Lifting Capacities On Outriggers Fully Extended - 360° At Zero Degree Boom Angle							
Boom Angle	Main Boom Length in Feet						
	35	61	74	87	99	112	
0°	26,400 (28.2)	10,150 (53.8)	6,240 (66.6)	3,420 (79.4)	2,440 (92.2)	1,680 (105)	

NOTE: () Reference radii in feet.

A6-829-014468A

Ext. %							
Inner-mid	0	0	0	0	0	0	100
Center-mid	0	100	100	100	100	100	100
Outer-mid	0	0	25	50	75	100	100
Fly	0	0	25	50	75	100	100



**RATED LIFTING CAPACITIES IN POUNDS WITH 8,500 lb COUNTERWEIGHT
35 FT. - 138 FT. BOOM (MODE A)
ON OUTRIGGERS 50% EXTENDED - 360°**

Radius in Feet	#4001						
	Main Boom Length in Feet						
	35	61	74	87	99	112	138
10	90,500 (65.5)	42,900 (77.5)	*32,100 (80)				
12	79,150 (62)	42,000 (75.5)	32,100 (78.5)	*31,850 (80)			
15	66,050 (56)	36,550 (72.5)	32,100 (76)	31,850 (78.5)	*21,350 (80)		
20	49,200 (44.5)	29,400 (67.5)	31,350 (71.5)	28,850 (75)	21,350 (77.5)	19,000 (79.5)	
25	31,550 (29.5)	24,350 (62)	26,450 (67.5)	25,050 (71.5)	20,850 (74.5)	18,150 (77)	*19,000 (80)
30		20,500 (56.5)	22,300 (63)	21,550 (68)	18,650 (71.5)	17,300 (74.5)	18,300 (78.5)
35		16,450 (50)	17,650 (58.5)	18,500 (64)	16,900 (68.5)	16,450 (71.5)	16,600 (76.5)
40		12,050 (43)	13,250 (53.5)	14,350 (60)	15,300 (65)	15,650 (69)	13,300 (74)
45		8,840 (35)	10,000 (48.5)	11,150 (56)	12,200 (61.5)	13,250 (66)	10,700 (72)
50	See Note 16	6,370 (24.5)	7,520 (42.5)	8,640 (52)	9,720 (58.5)	10,750 (63)	8,410 (69.5)
60			3,960 (28)	5,050 (42.5)	6,120 (51)	7,160 (57)	5,090 (65)
70				2,610 (30)	3,650 (42.5)	4,680 (50)	2,840 (60)
80					1,870 (32)	2,880 (42.5)	1,210 (55)
90						1,510 (33.5)	
0.1A (lbs.)	1,250	1,190	1,060	970	900	850	1,020
Minimum boom angle (deg.) for indicated length (no load)				15	24	30	54
Maximum boom length (ft.) at 0° boom angle (no load)				74			

NOTE: () Boom angles are in degrees.

#LMI operating code. Refer to LMI manual for instructions.

*This capacity is based on maximum boom angle.

Lifting Capacities On Outriggers 50% Extended - 360° At Zero Degree Boom Angle							
Boom Angle	Main Boom Length in Feet						
	35	61	74				
0°	24,800 (28.2)	4,860 (53.8)	2,280 (66.6)				

NOTE: () Reference radii in feet.

A6-829-014472

Ext. %							
Inner-mid	0	0	0	0	0	0	100
Center-mid	0	100	100	100	100	100	100
Outer-mid	0	0	25	50	75	100	100
Fly	0	0	25	50	75	100	100



**RATED LIFTING CAPACITIES IN POUNDS WITH 8,500 lb COUNTERWEIGHT
35 FT. - 138 FT. BOOM (MODE A)**

ON OUTRIGGERS 0% EXTENDED - 360°

Radius in Feet	#8001						
	Main Boom Length in Feet						
	35	61	74	87	99	112	138
10	56,500 (65.5)	42,900 (77.5)	*32,100 (80)				
12	43,600 (62)	37,600 (75.5)	32,100 (78.5)	*31,850 (80)			
15	31,150 (56)	27,800 (72.5)	27,950 (76)	27,600 (78.5)	*21,350 (80)		
20	18,550 (44.5)	18,050 (67.5)	18,750 (71.5)	19,000 (75)	19,000 (77.5)	18,850 (79.5)	
25	11,400 (29.5)	12,100 (62)	13,150 (67.5)	13,650 (71.5)	13,900 (74.5)	13,950 (77)	*10,850 (80)
30		8,010 (56.5)	8,960 (63)	9,930 (68)	10,400 (71.5)	10,600 (74.5)	7,840 (78.5)
35		4,980 (50)	5,960 (58.5)	6,870 (64)	7,780 (68.5)	8,150 (71.5)	5,580 (76.5)
40		2,780 (43)	3,770 (53.5)	4,660 (60)	5,520 (65)	6,260 (69)	3,840 (74)
45		1,120 (35)	2,070 (48.5)	2,980 (56)	3,810 (61.5)	4,650 (66)	2,460 (72)
50	See Note 16			1,610 (52)	2,480 (58.5)	3,280 (63)	1,330 (69.5)
60						1,270 (57)	
0.1A (lbs.)	1,250	1,190	1,060	970	900	850	1,020
Minimum boom angle (deg.) for indicated length (no load)		34	43	49	53	56	68
Maximum boom length (ft.) at 0 degree boom angle (no load)	35						

NOTE: () Boom angles are in degrees.

#LMI operating code. Refer to LMI manual for instructions.

*This capacity is based on maximum boom angle.

Lifting Capacities On Outriggers 0% Extended - 360° At Zero Degree Boom Angle							
Boom Angle	Main Boom Length in Feet						
	35						
0°	8,370 (28.2)						

NOTE: () Reference radii in feet.

A6-829-014476

Ext. %							
Inner-mid	0	0	0	0	0	0	100
Center-mid	0	100	100	100	100	100	100
Outer-mid	0	0	25	50	75	100	100
Fly	0	0	25	50	75	100	100



**RATED LIFTING CAPACITIES IN POUNDS WITH 5,500 lb COUNTERWEIGHT
35 FT. - 138 FT. BOOM (MODE A)
ON OUTRIGGERS FULLY EXTENDED - 360°**

Radius in Feet	#0101						
	Main Boom Length in Feet						
	35	61	74	87	99	112	138
10	+140,000 (65.5)	42,900 (77.5)	*32,100 (80)				
12	110,000 (62)	42,000 (75.5)	32,100 (78.5)	*31,850 (80)			
15	95,800 (56)	36,550 (72.5)	32,100 (76)	31,850 (78.5)	*21,350 (80)		
20	68,550 (44.5)	29,400 (67.5)	31,350 (71.5)	28,850 (75)	21,350 (77.5)	19,000 (79.5)	
25	51,450 (29.5)	24,350 (62)	26,450 (67.5)	25,050 (71.5)	20,850 (74.5)	18,150 (77)	*19,000 (80)
30		20,500 (56.5)	22,300 (63)	21,550 (68)	18,650 (71.5)	17,300 (74.5)	18,300 (78.5)
35		17,450 (50)	19,100 (58.5)	18,500 (64)	16,900 (68.5)	16,450 (71.5)	17,650 (76.5)
40		15,050 (43)	16,500 (53.5)	16,000 (60)	15,300 (65)	15,650 (69)	17,000 (74)
45		13,100 (35)	14,450 (48.5)	14,000 (56)	13,650 (61.5)	14,150 (66)	16,350 (72)
50	See Note 16	11,450 (24.5)	12,750 (42.5)	12,350 (52)	12,100 (58.5)	12,700 (63)	15,700 (69.5)
60			10,050 (28)	9,780 (42.5)	9,580 (51)	10,150 (57)	12,800 (65)
70				7,830 (30)	7,710 (42.5)	8,220 (50)	9,120 (60)
80					6,270 (32)	6,730 (42.5)	6,510 (55)
90					4,040 (15.5)	5,110 (33.5)	4,560 (49.5)
100						3,340 (21)	3,060 (43)
110							1,870 (36)
Minimum boom angle (deg.) for indicated length (no load)						0	33
Maximum boom length (ft.) at 0 degree boom angle (no load)						112	

NOTE: () Boom angles are in degrees.

#LMI operating code. Refer to LMI manual for instructions.

*This capacity is based on maximum boom angle.

+12 parts line required to lift this capacity (using aux. boom nose). Refer to Operator's and Safety Handbook for reeving diagram.

Lifting Capacities On Outriggers Fully Extended - 360° At Zero Degree Boom Angle							
Boom Angle	Main Boom Length in Feet						
	35	61	74	87	99	112	
0°	26,400 (28.2)	10,150 (53.8)	6,240 (66.6)	3,420 (79.4)	2,440 (92.2)	1,680 (105)	

NOTE: () Reference radii in feet.

A6-829-014469A

Ext. %							
Inner-mid	0	0	0	0	0	0	100
Center-mid	0	100	100	100	100	100	100
Outer-mid	0	0	25	50	75	100	100
Fly	0	0	25	50	75	100	100



**RATED LIFTING CAPACITIES IN POUNDS WITH 5,500 lb COUNTERWEIGHT
35 FT. - 138 FT. BOOM (MODE A)
ON OUTRIGGERS 50% EXTENDED - 360°**

Radius in Feet	#4101						
	Main Boom Length in Feet						
	35	61	74	87	99	112	138
10	89,350 (65.5)	42,900 (77.5)	*32,100 (80)				
12	77,350 (62)	42,000 (75.5)	32,100 (78.5)	*31,850 (80)			
15	65,500 (56)	36,550 (72.5)	32,100 (76)	31,850 (78.5)	*21,350 (80)		
20	45,250 (44.5)	29,400 (67.5)	31,350 (71.5)	28,850 (75)	21,350 (77.5)	19,000 (79.5)	
25	28,750 (29.5)	24,350 (62)	26,450 (67.5)	25,050 (71.5)	20,850 (74.5)	18,150 (77)	*19,000 (80)
30		20,500 (56.5)	21,800 (63)	21,550 (68)	18,650 (71.5)	17,300 (74.5)	18,300 (78.5)
35		14,700 (50)	15,900 (58.5)	17,000 (64)	16,900 (68.5)	16,450 (71.5)	14,850 (76.5)
40		10,550 (43)	11,750 (53.5)	12,850 (60)	13,950 (65)	14,750 (69)	11,800 (74)
45		7,540 (35)	8,710 (48.5)	9,850 (56)	10,900 (61.5)	11,950 (66)	9,430 (72)
50	See Note 16	5,220 (24.5)	6,370 (42.5)	7,500 (52)	8,570 (58.5)	9,600 (63)	7,270 (69.5)
60			3,040 (28)	4,120 (42.5)	5,190 (51)	6,240 (57)	4,170 (65)
70				1,830 (30)	2,870 (42.5)	3,900 (50)	2,060 (60)
80					1,200 (32)	2,210 (42.5)	
0.1A (lbs.)	1,250	1,190	1,060	970	900	850	1,020
Minimum boom angle (deg.) for indicated length (no load)				23	30	35	57
Maximum boom length (ft.) at 0 degree boom angle (no load)				74			

NOTE: () Boom angles are in degrees.

#LMI operating code. Refer to LMI manual for instructions.

*This capacity is based on maximum boom angle.

Lifting Capacities On Outriggers 50% Extended - 360° At Zero Degree Boom Angle							
Boom Angle	Main Boom Length in Feet						
	35	61	74				
0°	22,450 (28.2)	3,810 (53.8)	1,460 (66.6)				

NOTE: () Reference radii in feet.

A6-829-014473

Ext. %							
Inner-mid	0	0	0	0	0	0	100
Center-mid	0	100	100	100	100	100	100
Outer-mid	0	0	25	50	75	100	100
Fly	0	0	25	50	75	100	100



**RATED LIFTING CAPACITIES IN POUNDS WITH 5,500 lb COUNTERWEIGHT
35 FT. - 138 FT. BOOM (MODE A)**

ON OUTRIGGERS 0% EXTENDED - 360°

Radius in Feet	#8101						
	Main Boom Length in Feet						
	35	61	74	87	99	112	138
10	50,800 (65.5)	42,600 (77.5)	*32,100 (80)				
12	38,950 (62)	33,550 (75.5)	32,100 (78.5)	*31,850 (80)			
15	27,550 (56)	24,600 (72.5)	24,850 (76)	24,650 (78.5)	*21,350 (80)		
20	16,100 (44.5)	15,600 (67.5)	16,400 (71.5)	16,750 (75)	16,800 (77.5)	16,700 (79.5)	
25	9,550 (29.5)	10,150 (62)	11,250 (67.5)	11,800 (71.5)	12,100 (74.5)	12,250 (77)	*9,210 (80)
30		6,480 (56.5)	7,470 (63)	8,440 (68)	8,900 (71.5)	9,150 (74.5)	6,420 (78.5)
35		3,730 (50)	4,710 (58.5)	5,610 (64)	6,530 (68.5)	6,870 (71.5)	4,350 (76.5)
40		1,700 (43)	2,690 (53.5)	3,580 (60)	4,440 (65)	5,130 (69)	2,750 (74)
45			1,120 (48.5)	2,030 (56)	2,860 (61.5)	3,700 (66)	1,470 (72)
50	See Note 16				1,630 (58.5)	2,430 (63)	
0.1A (lbs.)	1,250	1,190	1,060	970	900	850	1,020
Minimum boom angle (deg.) for indicated length (no load)		40	47	53	57	60	71
Maximum boom length (ft.) at 0 degree boom angle (no load)	35						

NOTE: () Boom angles are in degrees.

#LMI operating code. Refer to LMI manual for instructions.

*This capacity is based on maximum boom angle.

Lifting Capacities On Outriggers 0% Extended - 360° At Zero Degree Boom Angle							
Boom Angle	Main Boom Length in Feet						
	35						
0°	6,760 (28.2)						

NOTE: () Reference radii in feet.

A6-829-014477

Ext. %							
Inner-mid	0	0	0	0	0	0	100
Center-mid	0	100	100	100	100	100	100
Outer-mid	0	0	25	50	75	100	100
Fly	0	0	25	50	75	100	100



RATED LIFTING CAPACITIES IN POUNDS WITH 3,000 lb COUNTERWEIGHT 35 FT. - 138 FT. BOOM (MODE A)

ON OUTRIGGERS FULLY EXTENDED - 360°

Radius in Feet	#0201						
	Main Boom Length in Feet						
	35	61	74	87	99	112	138
10	+140,000 (65.5)	42,900 (77.5)	*32,100 (80)				
12	110,000 (62)	42,000 (75.5)	32,100 (78.5)	*31,850 (80)			
15	95,350 (56)	36,550 (72.5)	32,100 (76)	31,850 (78.5)	*21,350 (80)		
20	66,750 (44.5)	29,400 (67.5)	31,350 (71.5)	28,850 (75)	21,350 (77.5)	19,000 (79.5)	
25	50,050 (29.5)	24,350 (62)	26,450 (67.5)	25,050 (71.5)	20,850 (74.5)	18,150 (77)	*19,000 (80)
30		20,500 (56.5)	22,300 (63)	21,550 (68)	18,650 (71.5)	17,300 (74.5)	18,300 (78.5)
35		17,450 (50)	19,100 (58.5)	18,500 (64)	16,900 (68.5)	16,450 (71.5)	17,650 (76.5)
40		15,050 (43)	16,500 (53.5)	16,000 (60)	15,300 (65)	15,650 (69)	17,000 (74)
45		13,100 (35)	14,450 (48.5)	14,000 (56)	13,650 (61.5)	14,150 (66)	16,350 (72)
50	See Note 16	11,450 (24.5)	12,750 (42.5)	12,350 (52)	12,100 (58.5)	12,700 (63)	15,700 (69.5)
60			10,050 (28)	9,780 (42.5)	9,580 (51)	10,150 (57)	11,700 (65)
70				6,990 (30)	7,710 (42.5)	8,220 (50)	8,220 (60)
80					5,580 (32)	6,660 (42.5)	5,740 (55)
90					3,410 (15.5)	4,480 (33.5)	3,900 (49.5)
100						2,770 (21)	2,470 (43)
110							1,340 (36)
Minimum boom angle (deg.) for indicated length (no load)						0	35
Maximum boom length (ft.) at 0 degree boom angle (no load)						112	

NOTE: () Boom angles are in degrees.

#LMI operating code. Refer to LMI manual for instructions.

*This capacity is based on maximum boom angle.

+12 parts line required to lift this capacity (using aux. boom nose). Refer to Operator's and Safety Handbook for reeving diagram.

Lifting Capacities On Outriggers Fully Extended - 360° At Zero Degree Boom Angle							
Boom Angle	Main Boom Length in Feet						
	35	61	74	87	99	112	
0°	26,400 (28.2)	10,150 (53.8)	6,240 (66.6)	3,420 (79.4)	2,440 (92.2)	1,680 (105)	

NOTE: () Reference radii in feet.

A6-829-014470A

Ext. %							
Inner-mid	0	0	0	0	0	0	100
Center-mid	0	100	100	100	100	100	100
Outer-mid	0	0	25	50	75	100	100
Fly	0	0	25	50	75	100	100



**RATED LIFTING CAPACITIES IN POUNDS WITH 3,000 lb COUNTERWEIGHT
35 FT. - 138 FT. BOOM (MODE A)**

ON OUTRIGGERS 50% EXTENDED - 360°

Radius in Feet	#4201						
	Main Boom Length in Feet						
	35	61	74	87	99	112	138
10	88,400 (65.5)	42,900 (77.5)	*32,100 (80)				
12	76,700 (62)	42,000 (75.5)	32,100 (78.5)	*31,850 (80)			
15	65,000 (56)	36,550 (72.5)	32,100 (76)	31,850 (78.5)	*21,350 (80)		
20	41,950 (44.5)	29,400 (67.5)	31,350 (71.5)	28,850 (75)	21,350 (77.5)	19,000 (79.5)	
25	26,400 (29.5)	24,350 (62)	26,450 (67.5)	25,050 (71.5)	20,850 (74.5)	18,150 (77)	*19,000 (80)
30		18,850 (56.5)	20,000 (63)	20,750 (68)	18,650 (71.5)	17,300 (74.5)	17,300 (78.5)
35		13,200 (50)	14,400 (58.5)	15,500 (64)	16,450 (68.5)	16,450 (71.5)	13,450 (76.5)
40		9,310 (43)	10,500 (53.5)	11,600 (60)	12,700 (65)	13,450 (69)	10,550 (74)
45		6,450 (35)	7,630 (48.5)	8,770 (56)	9,820 (61.5)	10,850 (66)	8,320 (72)
50	See Note 16	4,260 (24.5)	5,420 (42.5)	6,540 (52)	7,610 (58.5)	8,640 (63)	6,310 (69.5)
60			2,260 (28)	3,350 (42.5)	4,410 (51)	5,460 (57)	3,390 (65)
70				1,180 (30)	2,220 (42.5)	3,250 (50)	1,410 (60)
80						1,650 (42.5)	
0.1A (lbs.)	1,250	1,190	1,060	970	900	850	1,020
Minimum boom angle (deg.) for indicated length (no load)			20	28	33	36	59
Maximum boom length (ft.) at 0 degree boom angle (no load)			61				

NOTE: () Boom angles are in degrees.

#LMI operating code. Refer to LMI manual for instructions.

*This capacity is based on maximum boom angle.

Lifting Capacities On Outriggers 50% Extended - 360° At Zero Degree Boom Angle							
Boom Angle	Main Boom Length in Feet						
	35	61					
0°	20,450 (28.2)	2,930 (53.8)					

NOTE: () Reference radii in feet.

A6-829-014474

Ext. %							
Inner-mid	0	0	0	0	0	0	100
Center-mid	0	100	100	100	100	100	100
Outer-mid	0	0	25	50	75	100	100
Fly	0	0	25	50	75	100	100



**RATED LIFTING CAPACITIES IN POUNDS WITH 3,000 lb COUNTERWEIGHT
35 FT. - 138 FT. BOOM (MODE A)**

ON OUTRIGGERS 0% EXTENDED - 360°

Radius in Feet	#8201						
	Main Boom Length in Feet						
	35	61	74	87	99	112	138
10	46,100 (65.5)	38,550 (77.5)	*32,100 (80)				
12	35,150 (62)	30,200 (75.5)	29,950 (78.5)	*29,300 (80)			
15	24,550 (56)	21,900 (72.5)	22,300 (76)	22,200 (78.5)	*21,350 (80)		
20	14,100 (44.5)	13,600 (67.5)	14,450 (71.5)	14,850 (75)	15,000 (77.5)	14,950 (79.5)	
25	8,020 (29.5)	8,550 (62)	9,690 (67.5)	10,300 (71.5)	10,600 (74.5)	10,800 (77)	*7,830 (80)
30		5,130 (56.5)	6,230 (63)	7,190 (68)	7,640 (71.5)	7,920 (74.5)	5,240 (78.5)
35		2,680 (50)	3,660 (58.5)	4,570 (64)	5,460 (68.5)	5,800 (71.5)	3,320 (76.5)
40			1,790 (53.5)	2,670 (60)	3,540 (65)	4,180 (69)	1,840 (74)
45	See Note 16			1,100 (56)	2,070 (61.5)	2,900 (66)	
50						1,730 (63)	
0.1A (lbs.)	1,250	1,190	1,060	970	900	850	1,020
Minimum boom angle (deg.) for indicated length (no load)		44	50	55	59	60	73
Maximum boom length (ft.) at 0 degree boom angle (no load)	35						

NOTE: () Boom angles are in degrees.

#LMI operating code. Refer to LMI manual for instructions.

*This capacity is based on maximum boom angle.

Lifting Capacities On Outriggers 0% Extended - 360° At Zero Degree Boom Angle							
Boom Angle	Main Boom Length in Feet						
	35						
0°	5,430 (28.2)						

NOTE: () Reference radii in feet.

A6-829-014478A

Ext. %							
Inner-mid	0	0	0	0	0	0	100
Center-mid	0	100	100	100	100	100	100
Outer-mid	0	0	25	50	75	100	100
Fly	0	0	25	50	75	100	100



**RATED LIFTING CAPACITIES IN POUNDS WITHOUT COUNTERWEIGHT
35 FT. - 138 FT. BOOM (MODE A)
ON OUTRIGGERS FULLY EXTENDED - 360°**

Radius in Feet	#0801						
	Main Boom Length in Feet						
	35	61	74	87	99	112	138
10	+139,500 (65.5)	42,900 (77.5)	*32,100 (80)				
12	110,000 (62)	42,000 (75.5)	32,100 (78.5)	*31,850 (80)			
15	92,450 (56)	36,550 (72.5)	32,100 (76)	31,850 (78.5)	*21,350 (80)		
20	64,600 (44.5)	29,400 (67.5)	31,350 (71.5)	28,850 (75)	21,350 (77.5)	19,000 (79.5)	
25	48,350 (29.5)	24,350 (62)	26,450 (67.5)	25,050 (71.5)	20,850 (74.5)	18,150 (77)	*19,000 (80)
30		20,500 (56.5)	22,300 (63)	21,550 (68)	18,650 (71.5)	17,300 (74.5)	18,300 (78.5)
35		17,450 (50)	19,100 (58.5)	18,500 (64)	16,900 (68.5)	16,450 (71.5)	17,650 (76.5)
40		15,050 (43)	16,500 (53.5)	16,000 (60)	15,300 (65)	15,650 (69)	17,000 (74)
45		13,100 (35)	14,450 (48.5)	14,000 (56)	13,650 (61.5)	14,150 (66)	16,350 (72)
50	See Note 16	11,450 (24.5)	12,750 (42.5)	12,350 (52)	12,100 (58.5)	12,700 (63)	15,450 (69.5)
60			9,160 (28)	9,710 (42.5)	9,580 (51)	10,150 (57)	10,400 (65)
70				5,990 (30)	7,430 (42.5)	8,220 (50)	7,140 (60)
80					4,720 (32)	5,790 (42.5)	4,820 (55)
90					2,550 (15.5)	3,700 (33.5)	3,100 (49.5)
100						1,990 (21)	1,760 (43)
Minimum boom angle (deg.) for indicated length (no load)						0	40
Maximum boom length (ft.) at 0 degree boom angle (no load)						112	

NOTE: () Boom angles are in degrees.

#LMI operating code. Refer to LMI manual for instructions.

*This capacity is based on maximum boom angle.

+12 parts line required to lift this capacity (using aux. boom nose). Refer to Operator's and Safety Handbook for reeving diagram.

Lifting Capacities On Outriggers Fully Extended - 360° At Zero Degree Boom Angle							
Boom Angle	Main Boom Length in Feet						
	35	61	74	87	99	112	
0°	26,400 (28.2)	10,150 (53.8)	6,240 (66.6)	3,330 (79.4)	2,130 (92.2)	1,260 (105)	

NOTE: () Reference radii in feet.

A6-829-014471A

Ext. %							
Inner-mid	0	0	0	0	0	0	100
Center-mid	0	100	100	100	100	100	100
Outer-mid	0	0	25	50	75	100	100
Fly	0	0	25	50	75	100	100



**RATED LIFTING CAPACITIES IN POUNDS WITHOUT COUNTERWEIGHT
35 FT. - 138 FT. BOOM (MODE A)**

ON OUTRIGGERS 50% EXTENDED - 360°

Radius in Feet	#4801						
	Main Boom Length in Feet						
	35	61	74	87	99	112	138
10	87,250 (65.5)	42,900 (77.5)	*32,100 (80)				
12	76,000 (62)	42,000 (75.5)	32,100 (78.5)	*31,850 (80)			
15	64,400 (56)	36,550 (72.5)	32,100 (76)	31,850 (78.5)	*21,350 (80)		
20	38,000 (44.5)	29,400 (67.5)	31,350 (71.5)	28,850 (75)	21,350 (77.5)	19,000 (79.5)	
25	23,600 (29.5)	23,750 (62)	24,500 (67.5)	24,750 (71.5)	20,850 (74.5)	18,150 (77)	*19,000 (80)
30		16,650 (56.5)	17,800 (63)	18,550 (68)	18,650 (71.5)	17,300 (74.5)	15,300 (78.5)
35		11,450 (50)	12,600 (58.5)	13,750 (64)	14,650 (68.5)	14,850 (71.5)	11,750 (76.5)
40		7,810 (43)	9,030 (53.5)	10,100 (60)	11,200 (65)	11,900 (69)	9,070 (74)
45		5,150 (35)	6,330 (48.5)	7,470 (56)	8,520 (61.5)	9,570 (66)	6,990 (72)
50	See Note 16	3,120 (24.5)	4,270 (42.5)	5,390 (52)	6,460 (58.5)	7,500 (63)	5,160 (69.5)
60			1,330 (28)	2,420 (42.5)	3,490 (51)	4,530 (57)	2,470 (65)
70					1,440 (42.5)	2,470 (50)	
0.1A (lbs.)	1,250	1,190	1,060	970	900	850	1,020
Minimum boom angle (deg.) for indicated length (no load)			26	33	39	44	62
Maximum boom length (ft.) at 0 degree boom angle (no load)			61				

NOTE: () Boom angles are in degrees.

#LMI operating code. Refer to LMI manual for instructions.

*This capacity is based on maximum boom angle.

Lifting Capacities On Outriggers 50% Extended - 360° At Zero Degree Boom Angle							
Boom Angle	Main Boom Length in Feet						
	35	61					
0°	18,100 (28.2)	1,880 (53.8)					

NOTE: () Reference radii in feet.

A6-829-014475

Ext. %							
Inner-mid	0	0	0	0	0	0	100
Center-mid	0	100	100	100	100	100	100
Outer-mid	0	0	25	50	75	100	100
Fly	0	0	25	50	75	100	100



**RATED LIFTING CAPACITIES IN POUNDS WITHOUT COUNTERWEIGHT
35 FT. - 138 FT. BOOM (MODE A)**

ON OUTRIGGERS 0% EXTENDED - 360°

Radius in Feet	#8801						
	Main Boom Length in Feet						
	35	61	74	87	99	112	138
10	40,450 (65.5)	33,700 (77.5)	*32,100 (80)				
12	30,550 (62)	26,200 (75.5)	26,150 (78.5)	*25,700 (80)			
15	20,950 (56)	18,650 (72.5)	19,200 (76)	19,250 (78.5)	*19,100 (80)		
20	11,700 (44.5)	11,150 (67.5)	12,100 (71.5)	12,600 (75)	12,800 (77.5)	12,800 (79.5)	
25	6,170 (29.5)	6,610 (62)	7,810 (67.5)	8,470 (71.5)	8,860 (74.5)	9,070 (77)	*6,180 (80)
30		3,500 (56.5)	4,730 (63)	5,650 (68)	6,140 (71.5)	6,450 (74.5)	3,830 (78.5)
35		1,280 (50)	2,410 (58.5)	3,310 (64)	4,160 (68.5)	4,530 (71.5)	2,090 (76.5)
40	See Note 16			1,590 (60)	2,460 (65)	3,050 (69)	
45					1,120 (61.5)	1,890 (66)	
0.1A (lbs.)	1,250	1,190	1,060	970	900	850	1,020
Minimum boom angle (deg.) for indicated length (no load)		49	54	58	61	64	75
Maximum boom length (ft.) at 0 degree boom angle (no load)	35						

NOTE: () Boom angles are in degrees.

#LMI operating code. Refer to LMI manual for instructions.

*This capacity is based on maximum boom angle.

Lifting Capacities On Outriggers 0% Extended - 360° At Zero Degree Boom Angle							
Boom Angle	Main Boom Length in Feet						
	35						
0°	3,820 (28.2)						

NOTE: () Reference radii in feet.

A6-829-014479

Ext. %							
Inner-mid	0	0	0	0	0	0	100
Center-mid	0	100	100	100	100	100	100
Outer-mid	0	0	25	50	75	100	100
Fly	0	0	25	50	75	100	100





**RATED LIFTING CAPACITIES IN POUNDS WITH 18,000 lb COUNTERWEIGHT
35 FT. - 138 FT. BOOM (MODE B)
ON OUTRIGGERS FULLY EXTENDED - 360°**

Radius in Feet	#0501								
	Main Boom Length in Feet								
	35	55	61	74	87	99	112	125	138
10	+140,000 (65.5)	79,100 (76)	78,450 (77.5)	*57,050 (80)					
12	110,000 (62)	79,100 (73.5)	77,500 (75.5)	57,050 (78.5)	*43,300 (80)				
15	95,800 (56)	79,100 (70)	69,850 (72.5)	51,650 (76)	43,300 (78.5)	*32,100 (80)			
20	77,250 (44.5)	70,850 (64.5)	59,850 (67.5)	44,350 (71.5)	39,550 (75)	32,100 (77.5)	30,050 (79.5)	*20,150 (80)	
25	58,500 (29.5)	58,200 (58)	52,200 (62)	38,750 (67.5)	33,800 (71.5)	32,100 (74.5)	30,050 (77)	20,150 (79)	*19,000 (80)
30		45,850 (51)	46,200 (56.5)	34,200 (63)	29,200 (68)	30,200 (71.5)	27,350 (74.5)	19,100 (76.5)	18,300 (78.5)
35		37,100 (43.5)	37,500 (50)	29,050 (58.5)	25,800 (64)	26,600 (68.5)	24,300 (71.5)	18,100 (74)	17,650 (76.5)
40		27,050 (34.5)	27,500 (43)	25,150 (53.5)	22,900 (60)	23,450 (65)	21,600 (69)	17,250 (72)	17,000 (74)
45		22,000 (21.5)	22,450 (35)	21,800 (48.5)	20,000 (56)	20,450 (61.5)	19,250 (66)	16,450 (69)	16,350 (72)
50	See Note 16		18,500 (24.5)	18,550 (42.5)	17,500 (52)	17,900 (58.5)	16,900 (63)	15,750 (66.5)	15,700 (69.5)
60				12,800 (28)	12,800 (42.5)	14,000 (51)	13,250 (57)	13,100 (61.5)	13,300 (65)
70					8,830 (30)	10,150 (42.5)	10,700 (50)	10,700 (56)	11,050 (60)
80						7,160 (32)	8,240 (42.5)	8,660 (49.5)	9,120 (55)
90						4,800 (15.5)	5,870 (33.5)	6,700 (43)	7,380 (49.5)
100							4,010 (21)	4,840 (35)	5,500 (43)
110								3,340 (24.5)	4,000 (36)
120									2,760 (27)
130									1,720 (9.5)
Minimum boom angle (deg.) for indicated length (no load)									9
Maximum boom length (ft.) at 0 degree boom angle (no load)									125

NOTE: () Boom angles are in degrees.

#LMI operating code. Refer to LMI manual for instructions.

*This capacity is based on maximum boom angle.

+12 parts line required to lift this capacity (using aux. boom nose). Refer to Operator's and Safety Handbook for reeving diagram.

Lifting Capacities On Outriggers Fully Extended - 360° At Zero Degree Boom Angle										
Boom Angle	Main Boom Length in Feet									
	35	55	61	74	87	99	112	125		
0°	26,400 (28.2)	12,500 (47.4)	10,150 (53.8)	6,240 (66.6)	3,420 (79.4)	2,440 (92.2)	1,680 (105)	1,070 (117.8)		

NOTE: () Reference radii in feet.

A6-829-014914

Ext. %									
Inner-mid	0	50	50	75	100	100	100	100	100
Center-mid	0	25	50	75	100	100	100	100	100
Outer-mid	0	0	0	0	0	25	50	75	100
Fly	0	0	0	0	0	25	50	75	100



**31 FT. - 56 FT. FOLDING BOOM EXTENSION
WITH 18,000 lb COUNTERWEIGHT USING 125 FT. MAIN BOOM
ON OUTRIGGERS FULLY EXTENDED - 360°**

Radius in Feet	31 FT. LENGTH			56 FT. LENGTH		
	#0521	#0522	#0523	#0541	#0542	#0543
	1.5° OFFSET	25° OFFSET	45° OFFSET	1.5° OFFSET	25° OFFSET	45° OFFSET
30	*11,500 (80)					
35	11,500 (78.5)					
40	11,500 (77)	*10,000 (80)		6,950 (79.5)		
45	11,500 (75)	9,300 (78.5)	*8,000 (80)	6,780 (78.5)		
50	11,000 (73.5)	8,790 (76.5)	6,810 (78.5)	6,620 (77)		
60	10,050 (70)	7,960 (72.5)	6,490 (74.5)	6,290 (74)	*4,900 (80)	
70	9,220 (66)	7,360 (68.5)	6,400 (70.5)	5,960 (71)	4,560 (76.5)	*3,700 (80)
80	8,440 (62)	6,900 (64.5)	6,350 (66)	5,640 (67.5)	4,230 (73)	3,520 (76.5)
90	7,340 (57.5)	6,590 (60)	6,340 (61.5)	5,260 (64.5)	3,870 (69.5)	3,400 (72.5)
100	6,020 (53)	6,250 (55)	6,320 (56.5)	4,980 (60.5)	3,700 (65.5)	3,290 (68.5)
110	4,510 (47.5)	5,050 (50)	5,260 (51)	4,650 (56.5)	3,480 (61.5)	3,190 (64)
120	3,280 (41.5)	3,690 (44)		4,070 (52)	3,290 (57.5)	3,110 (59.5)
130	2,250 (34.5)	2,540 (36.5)		3,020 (47.5)	3,120 (52.5)	3,040 (54)
140	1,380 (26)			2,140 (42.5)	2,750 (47.5)	
150				1,380 (36.5)	1,840 (41)	
No Load Stability Data						
Minimum boom angle (deg.) for indicated length	24	25	45	35	37	45
Maximum boom length (ft.) at 0 deg. boom angle.	112			99		

NOTE: () Boom angles are in degrees.

A6-829-014930

#LMI operating code. Refer to LMI manual for operating instructions.

*This capacity is based on maximum boom angle.

1. All capacities above the bold line are based on structural strength of boom extension and do not exceed 85% of tipping loads, in accordance with SAE J-765.
2. 31 ft. and 56 ft. folding boom extension lengths may be used for single line lifting service only.
3. For main boom lengths less than 125 ft. with the boom extension erected, the rated loads are determined by boom angle. Use only the column which corresponds to the boom extension length and offset for which the machine is set up. For boom angles not shown, use rating of the next lower boom angle.
4. **WARNING:** Operation of this machine with heavier loads than the capacities listed is strictly prohibited. Machine tipping with boom extension occurs rapidly and without advance warning.
5. Boom angle is the angle above or below horizontal of the longitudinal axis of the boom base section after lifting rated load.
6. Capacities listed are with outriggers properly extended and vertical jacks set only.



**31 FT. - 56 FT. FOLDING BOOM EXTENSION
WITH 18,000 lb COUNTERWEIGHT USING 138 FT. MAIN BOOM
ON OUTRIGGERS FULLY EXTENDED - 360°**

Radius in Feet	31 FT. LENGTH			56 FT. LENGTH		
	#0521	#0522	#0523	#0541	#0542	#0543
	1.5° OFFSET	25° OFFSET	45° OFFSET	1.5° OFFSET	25° OFFSET	45° OFFSET
35	9,500 (79.5)					
40	9,500 (78)			*5,500 (80)		
45	9,500 (76.5)	*8,750 (80)		5,400 (79.5)		
50	9,500 (75)	7,490 (78.5)	*7,800 (80)	5,300 (78)		
60	9,110 (71.5)	7,060 (75)	6,740 (77)	5,100 (75.5)	*4,640 (80)	
70	8,450 (68.5)	6,720 (71.5)	6,460 (73.5)	4,900 (72.5)	4,430 (78)	*3,600 (80)
80	7,550 (64.5)	6,330 (68)	6,350 (69.5)	4,700 (69.5)	4,220 (74.5)	3,500 (77.5)
90	6,990 (60.5)	6,060 (64)	6,280 (65.5)	4,500 (66.5)	4,120 (71)	3,400 (74)
100	6,330 (56.5)	5,820 (60)	6,220 (61)	4,300 (63.5)	3,810 (67.5)	3,300 (70.5)
110	4,820 (52)	5,400 (55.5)	5,670 (56.5)	4,100 (59.5)	3,600 (64)	3,200 (67)
120	3,580 (47)	4,050 (50.5)	4,050 (52)	3,900 (56)	3,400 (60.5)	3,100 (63)
130	2,550 (41.5)	2,910 (45)		3,190 (52)	3,190 (56)	3,000 (58.5)
140	1,680 (35.5)	1,940 (38.5)		2,300 (47.5)	2,980 (51.5)	2,900 (53.5)
150				1,540 (42.5)	2,100 (46.5)	
160					1,300 (41)	
No Load Stability Data						
Minimum boom angle (deg.) for indicated length	32	32	45	40	40	45
Maximum boom length (ft.) at 0 deg. boom angle	112			99		

NOTE: () Boom angles are in degrees.

A6-829-014929

#LMI operating code. Refer to LMI manual for operating instructions.

*This capacity is based on maximum boom angle.

- All capacities above the bold line are based on structural strength of boom extension and do not exceed 85% of tipping loads, in accordance with SAE J-765.
- 31 ft. and 56 ft. folding boom extension lengths may be used for single line lifting service only.
- For main boom lengths between 125 ft. and fully extended with the boom extension erected, the rated loads are determined by boom angle. Use only the column which corresponds to the boom extension length and offset for which the machine is set up. For boom angles not shown, use rating of the next lower boom angle.
- WARNING:** Operation of this machine with heavier loads than the capacities listed is strictly prohibited. Machine tipping with boom extension occurs rapidly and without advance warning.
- Boom angle is the angle above or below horizontal of the longitudinal axis of the boom base section after lifting rated load.
- Capacities listed are with outriggers properly extended and vertical jacks set only.



**RATED LIFTING CAPACITIES IN POUNDS WITH 18,000 lb COUNTERWEIGHT
35 FT. - 138 FT. BOOM (MODE B)
ON OUTRIGGERS 50% EXTENDED - 360°**

Radius in Feet	#4501								
	Main Boom Length in Feet								
	35	55	61	74	87	99	112	125	138
10	90,500 (65.5)	79,100 (76)	78,450 (77.5)	*57,050 (80)					
12	79,150 (62)	78,800 (73.5)	77,500 (75.5)	57,050 (78.5)	*43,300 (80)				
15	66,050 (56)	65,750 (70)	66,000 (72.5)	51,650 (76)	43,300 (78.5)	*32,100 (80)			
20	51,950 (44.5)	51,600 (64.5)	51,900 (67.5)	44,350 (71.5)	39,550 (75)	32,100 (77.5)	30,050 (79.5)	*20,150 (80)	
25	38,700 (29.5)	37,800 (58)	36,300 (62)	37,050 (67.5)	33,800 (71.5)	32,100 (74.5)	30,050 (77)	20,150 (79)	*19,000 (80)
30		26,750 (51)	25,850 (56.5)	26,600 (63)	26,350 (68)	27,000 (71.5)	27,250 (74.5)	19,100 (76.5)	18,300 (78.5)
35		19,750 (43.5)	19,250 (50)	19,400 (58.5)	19,500 (64)	20,650 (68.5)	21,600 (71.5)	18,100 (74)	17,650 (76.5)
40		14,850 (34.5)	14,700 (43)	14,450 (53.5)	14,550 (60)	15,650 (65)	16,800 (69)	17,250 (72)	17,000 (74)
45		11,250 (21.5)	11,050 (35)	10,750 (48.5)	10,950 (56)	12,050 (61.5)	13,150 (66)	14,200 (69)	15,000 (72)
50	See Note 16		8,270 (24.5)	7,930 (42.5)	8,160 (52)	9,280 (58.5)	10,350 (63)	11,400 (66.5)	12,500 (69.5)
60				3,910 (28)	4,150 (42.5)	5,280 (51)	6,380 (57)	7,420 (61.5)	8,470 (65)
70					1,430 (30)	2,540 (42.5)	3,620 (50)	4,700 (56)	5,730 (60)
80							1,630 (42.5)	2,690 (49.5)	3,740 (55)
90								1,170 (43)	2,210 (49.5)
100									1,010 (43)
0.1A (lbs.)	1,250	1,340	1,310	1,330	1,350	1,230	1,140	1,070	1,020
Minimum boom angle (deg.) for indicated length (no load)					24	33	36	38	40
Maximum boom length (ft.) at 0 degree boom angle (no load)					74				

NOTE: () Boom angles are in degrees.

#LMI operating code. Refer to LMI manual for instructions.

*This capacity is based on maximum boom angle.

Lifting Capacities On Outriggers 50% Extended - 360° At Zero Degree Boom Angle									
Boom Angle	Main Boom Length in Feet								
	35	55	61	74					
0°	26,400 (28.2)	9,900 (47.4)	6,550 (53.8)	2,010 (66.6)					

NOTE: () Reference radii in feet.

A6-829-014916

Ext. %									
Inner-mid	0	50	50	75	100	100	100	100	100
Center-mid	0	25	50	75	100	100	100	100	100
Outer-mid	0	0	0	0	0	25	50	75	100
Fly	0	0	0	0	0	25	50	75	100



**31 FT. - 56 FT. FOLDING BOOM EXTENSION
WITH 18,000 lb COUNTERWEIGHT USING 125 FT. MAIN BOOM
ON OUTRIGGERS 50% EXTENDED - 360°**

Radius in Feet	31 FT. LENGTH			56 FT. LENGTH		
	#4521	#4522	#4523	#4541	#4542	#4543
	1.5° OFFSET	25° OFFSET	45° OFFSET	1.5° OFFSET	25° OFFSET	45° OFFSET
30	*11,500 (80)					
35	11,500 (78.5)					
40	11,500 (77)	*10,000 (80)		6,950 (79.5)		
45	11,500 (75)	9,300 (78.5)	*8,000 (80)	6,780 (78.5)		
50	11,000 (73.5)	8,790 (76.5)	6,810 (78.5)	6,620 (77)		
60	8,850 (70)	7,960 (72.5)	6,490 (74.5)	6,290 (74)	*4,900 (80)	
70	6,280 (66)	7,360 (68.5)	6,400 (70.5)	5,960 (71)	4,560 (76.5)	*3,700 (80)
80	4,260 (62)	5,040 (64.5)	5,850 (66)	5,000 (67.5)	4,230 (73)	3,520 (76.5)
90	2,650 (57.5)	3,220 (60)	3,980 (61.5)	3,510 (64.5)	3,870 (69.5)	3,400 (72.5)
100	1,400 (53)	1,790 (55)	2,340 (56.5)	2,310 (60.5)	3,540 (65.5)	3,290 (68.5)
110			1,020 (51)	1,320 (56.5)	2,270 (61.5)	2,970 (64)
120					1,210 (57.5)	1,770 (59.5)
0.1A (lbs.)	990	940	900	910	870	810
No Load Stability Data						
Minimum boom angle (deg.) for indicated length	49	49	50	53	55	55
Maximum boom length (ft.) at 0 deg. boom angle	74			61		

NOTE: () Boom angles are in degrees.

A6-829-014934

#LMI operating code. Refer to LMI manual for operating instructions.

*This capacity is based on maximum boom angle.

1. All capacities above the bold line are based on structural strength of boom extension. Capacities correspond to SAE J1289 (Test Load = 1.25P + 0.1A). 0.1A represents one-tenth (0.10) of the total boom weight reduced to the boom point.
2. 31 ft. and 56 ft. folding boom extension lengths may be used for single line lifting service only.
3. For main boom lengths less than 125 ft. with the boom extension erected, the rated loads are determined by boom angle. Use only the column which corresponds to the boom extension length and offset for which the machine is set up. For boom angles not shown, use rating of the next lower boom angle.
4. **WARNING:** Operation of this machine with heavier loads than the capacities listed is strictly prohibited. Machine tipping with boom extension occurs rapidly and without advance warning.
5. Boom angle is the angle above or below horizontal of the longitudinal axis of the boom base section after lifting rated load.
6. Capacities listed are with outriggers properly extended and vertical jacks set only.



**31 FT. - 56 FT. FOLDING BOOM EXTENSION
WITH 18,000 lb COUNTERWEIGHT USING 138 FT. MAIN BOOM
ON OUTRIGGERS 50% EXTENDED - 360°**

Radius in Feet	31 FT. LENGTH			56 FT. LENGTH		
	#4521	#4522	#4523	#4541	#4542	#4543
	1.5° OFFSET	25° OFFSET	45° OFFSET	1.5° OFFSET	25° OFFSET	45° OFFSET
35	9,500 (79.5)					
40	9,500 (78)			*5,500 (80)		
45	9,500 (76.5)	*8,750 (80)		5,400 (79.5)		
50	9,500 (75)	7,490 (78.5)	*7,800 (80)	5,300 (78)		
60	8,990 (71.5)	7,060 (75)	6,740 (77)	5,100 (75.5)	*4,640 (80)	
70	6,460 (68.5)	6,720 (71.5)	6,460 (73.5)	4,900 (72.5)	4,430 (78)	*3,600 (80)
80	4,550 (64.5)	5,480 (68)	6,060 (69.5)	4,700 (69.5)	4,220 (74.5)	3,500 (77.5)
90	3,050 (60.5)	3,840 (64)	4,300 (65.5)	3,590 (66.5)	4,120 (71)	3,400 (74)
100	1,770 (56.5)	2,520 (60)	2,770 (61)	2,400 (63.5)	3,650 (67.5)	3,300 (70.5)
110		1,360 (55.5)	1,490 (56.5)	1,430 (59.5)	2,500 (64)	3,170 (67)
120					1,520 (60.5)	2,060 (63)
0.1A (lbs.)	960	920	880	900	860	810
No Load Stability Data						
Minimum boom angle (deg.) for indicated length	52	53	54	56	58	58
Maximum boom length (ft.) at 0 deg. boom angle	74			61		

NOTE: () Boom angles are in degrees.

A6-829-014933

#LMI operating code. Refer to LMI manual for operating instructions.

*This capacity is based on maximum boom angle.

1. All capacities above the bold line are based on structural strength of boom extension. Capacities correspond to SAE J1289 (Test Load = 1.25P + 0.1A). 0.1A represents one-tenth (0.10) of the total boom weight reduced to the boom point.
2. 31 ft. and 56 ft. folding boom extension lengths may be used for single line lifting service only.
3. For main boom lengths between 125 ft. and fully extended with the boom extension erected, the rated loads are determined by boom angle. Use only the column which corresponds to the boom extension length and offset for which the machine is set up. For boom angles not shown, use rating of the next lower boom angle.
4. **WARNING:** Operation of this machine with heavier loads than the capacities listed is strictly prohibited. Machine tipping with boom extension occurs rapidly and without advance warning.
5. Boom angle is the angle above or below horizontal of the longitudinal axis of the boom base section after lifting rated load.
6. Capacities listed are with outriggers properly extended and vertical jacks set only.



**RATED LIFTING CAPACITIES IN POUNDS WITH 12,500 lb COUNTERWEIGHT
35 FT. - 138 FT. BOOM (MODE B)
ON OUTRIGGERS FULLY EXTENDED - 360°**

Radius in Feet	#0601								
	Main Boom Length in Feet								
	35	55	61	74	87	99	112	125	138
10	+140,000 (65.5)	79,100 (76)	78,450 (77.5)	*57,050 (80)					
12	110,000 (62)	79,100 (73.5)	77,500 (75.5)	57,050 (78.5)	*43,300 (80)				
15	95,800 (56)	79,100 (70)	69,850 (72.5)	51,650 (76)	43,300 (78.5)	*32,100 (80)			
20	70,700 (44.5)	70,300 (64.5)	59,850 (67.5)	44,350 (71.5)	39,550 (75)	32,100 (77.5)	30,050 (79.5)	*20,150 (80)	
25	53,150 (29.5)	52,850 (58)	52,200 (62)	38,750 (67.5)	33,800 (71.5)	32,100 (74.5)	30,050 (77)	20,150 (79)	*19,000 (80)
30		41,400 (51)	41,800 (56.5)	34,200 (63)	29,200 (68)	30,200 (71.5)	27,350 (74.5)	19,100 (76.5)	18,300 (78.5)
35		33,350 (43.5)	33,700 (50)	29,050 (58.5)	25,800 (64)	26,600 (68.5)	24,300 (71.5)	18,100 (74)	17,650 (76.5)
40		27,050 (34.5)	27,500 (43)	25,150 (53.5)	22,900 (60)	23,450 (65)	21,600 (69)	17,250 (72)	17,000 (74)
45		21,750 (21.5)	22,050 (35)	21,800 (48.5)	20,000 (56)	20,450 (61.5)	19,250 (66)	16,450 (69)	16,350 (72)
50	See Note 16		17,900 (24.5)	17,600 (42.5)	17,500 (52)	17,900 (58.5)	16,900 (63)	15,750 (66.5)	15,700 (69.5)
60				11,200 (28)	11,450 (42.5)	12,500 (51)	13,250 (57)	13,100 (61.5)	13,300 (65)
70					7,460 (30)	8,480 (42.5)	9,520 (50)	10,550 (56)	11,050 (60)
80						5,610 (32)	6,610 (42.5)	7,630 (49.5)	8,650 (55)
90						3,480 (15.5)	4,450 (33.5)	5,440 (43)	6,430 (49.5)
100							2,790 (21)	3,750 (35)	4,720 (43)
110								2,400 (24.5)	3,360 (36)
120									2,250 (27)
130									1,330 (9.5)
Minimum boom angle (deg.) for indicated length (no load)									9
Maximum boom length (ft.) at 0 degree boom angle (no load)									125

NOTE: () Boom angles are in degrees.

#LMI operating code. Refer to LMI manual for instructions.

*This capacity is based on maximum boom angle.

+12 parts line required to lift this capacity (using aux. boom nose). Refer to Operator's and Safety Handbook for reeving diagram.

Lifting Capacities On Outriggers Fully Extended - 360° At Zero Degree Boom Angle										
Boom Angle	Main Boom Length in Feet									
	35	55	61	74	87	99	112	125		
0°	26,400 (28.2)	12,500 (47.4)	10,150 (53.8)	6,240 (66.6)	3,420 (79.4)	2,440 (92.2)	1,680 (105)	1,070 (117.8)		

NOTE: () Reference radii in feet.

A6-829-014915

Ext. %									
Inner-mid	0	50	50	75	100	100	100	100	100
Center-mid	0	25	50	75	100	100	100	100	100
Outer-mid	0	0	0	0	0	25	50	75	100
Fly	0	0	0	0	0	25	50	75	100



**31 FT. - 56 FT. FOLDING BOOM EXTENSION
WITH 12,500 lb COUNTERWEIGHT USING 125 FT. MAIN BOOM
ON OUTRIGGERS FULLY EXTENDED - 360°**

Radius in Feet	31 FT. LENGTH			56 FT. LENGTH		
	#0621	#0622	#0623	#0641	#0642	#0643
	1.5° OFFSET	25° OFFSET	45° OFFSET	1.5° OFFSET	25° OFFSET	45° OFFSET
30	*11,500 (80)					
35	11,500 (78.5)					
40	11,500 (77)	*10,000 (80)		6,950 (79.5)		
45	11,500 (75)	9,300 (78.5)	*8,000 (80)	6,780 (78.5)		
50	11,000 (73.5)	8,790 (76.5)	6,810 (78.5)	6,620 (77)		
60	10,050 (70)	7,960 (72.5)	6,490 (74.5)	6,290 (74)	*4,900 (80)	
70	9,220 (66)	7,360 (68.5)	6,400 (70.5)	5,960 (71)	4,560 (76.5)	*3,700 (80)
80	8,440 (62)	6,900 (64.5)	6,350 (66)	5,640 (67.5)	4,230 (73)	3,520 (76.5)
90	6,850 (57.5)	6,590 (60)	6,340 (61.5)	5,260 (64.5)	3,870 (69.5)	3,400 (72.5)
100	5,090 (53)	5,490 (55)	6,060 (56.5)	4,980 (60.5)	3,700 (65.5)	3,290 (68.5)
110	3,690 (47.5)	3,940 (50)	4,310 (51)	4,650 (56.5)	3,480 (61.5)	3,190 (64)
120	2,540 (41.5)	2,670 (44)		3,620 (52)	3,290 (57.5)	3,110 (59.5)
130	1,600 (34.5)	1,620 (36.5)		2,620 (47.5)	3,110 (52.5)	3,040 (54)
140				1,770 (42.5)	2,130 (47.5)	
150				1,050 (36.5)	1,290 (41)	
No Load Stability Data						
Minimum boom angle (deg.) for indicated length	33	33	45	36	40	46
Maximum boom length (ft.) at 0 deg. boom angle	99			74		

NOTE: () Boom angles are in degrees.

A6-829-014932

#LMI operating code. Refer to LMI manual for operating instructions.

*This capacity is based on maximum boom angle.

- All capacities above the bold line are based on structural strength of boom extension and do not exceed 85% of tipping loads, in accordance with SAE J-765.
- 31 ft. and 56 ft. folding boom extension lengths may be used for single line lifting service only.
- For main boom lengths less than 125 ft. with the boom extension erected, the rated loads are determined by boom angle. Use only the column which corresponds to the boom extension length and offset for which the machine is set up. For boom angles not shown, use rating of the next lower boom angle.
- WARNING:** Operation of this machine with heavier loads than the capacities listed is strictly prohibited. Machine tipping with boom extension occurs rapidly and without advance warning.
- Boom angle is the angle above or below horizontal of the longitudinal axis of the boom base section after lifting rated load.
- Capacities listed are with outriggers properly extended and vertical jacks set only.



**31 FT. - 56 FT. FOLDING BOOM EXTENSION
WITH 12,500 lb COUNTERWEIGHT USING 138 FT. MAIN BOOM
ON OUTRIGGERS FULLY EXTENDED - 360°**

Radius in Feet	31 FT. LENGTH			56 FT. LENGTH		
	#0621	#0622	#0623	#0641	#0642	#0643
	1.5° OFFSET	25° OFFSET	45° OFFSET	1.5° OFFSET	25° OFFSET	45° OFFSET
35	9,500 (79.5)					
40	9,500 (78)			*5,500 (80)		
45	9,500 (76.5)	*8,750 (80)		5,400 (79.5)		
50	9,500 (75)	7,490 (78.5)	*7,800 (80)	5,300 (78)		
60	9,110 (71.5)	7,060 (75)	6,740 (77)	5,100 (75.5)	*4,640 (80)	
70	8,450 (68.5)	6,720 (71.5)	6,460 (73.5)	4,900 (72.5)	4,430 (78)	*3,600 (80)
80	7,550 (64.5)	6,330 (68)	6,350 (69.5)	4,700 (69.5)	4,220 (74.5)	3,500 (77.5)
90	6,990 (60.5)	6,060 (64)	6,280 (65.5)	4,500 (66.5)	4,120 (71)	3,400 (74)
100	5,480 (56.5)	5,820 (60)	6,220 (61)	4,300 (63.5)	3,810 (67.5)	3,300 (70.5)
110	4,050 (52)	4,710 (55.5)	4,820 (56.5)	4,100 (59.5)	3,600 (64)	3,200 (67)
120	2,890 (47)	3,430 (50.5)	3,430 (52)	3,890 (56)	3,400 (60.5)	3,100 (63)
130	1,920 (41.5)	2,370 (45)		2,850 (52)	3,190 (56)	3,000 (58.5)
140	1,110 (35.5)	1,470 (38.5)		1,970 (47.5)	2,290 (51.5)	2,570 (53.5)
150				1,220 (42.5)	1,390 (46.5)	
No Load Stability Data						
Minimum boom angle (deg.) for indicated length	34	38	45	42	45	47
Maximum boom length (ft.) at 0 deg. boom angle	99			74		

NOTE: () Boom angles are in degrees.

A6-829-014931

#LMI operating code. Refer to LMI manual for operating instructions.

* This capacity is based on maximum boom angle.

- All capacities above the bold line are based on structural strength of boom extension and do not exceed 85% of tipping loads, in accordance with SAE J-765.
- 31 ft. and 56 ft. folding boom extension lengths may be used for single line lifting service only.
- For main boom lengths between 125 ft. and fully extended with the boom extension erected, the rated loads are determined by boom angle. Use only the column which corresponds to the boom extension length and offset for which the machine is set up. For boom angles not shown, use rating of the next lower boom angle.
- WARNING:** Operation of this machine with heavier loads than the capacities listed is strictly prohibited. Machine tipping with boom extension occurs rapidly and without advance warning.
- Boom angle is the angle above or below horizontal of the longitudinal axis of the boom base section after lifting rated load.
- Capacities listed are with outriggers properly extended and vertical jacks set only.



**RATED LIFTING CAPACITIES IN POUNDS WITH 12,500 lb COUNTERWEIGHT
35 FT. - 138 FT. BOOM (MODE B)
ON OUTRIGGERS 50% EXTENDED - 360°**

Radius in Feet	#4601								
	Main Boom Length in Feet								
	35	55	61	74	87	99	112	125	138
10	90,500 (65.5)	79,100 (76)	78,450 (77.5)	*57,050 (80)					
12	79,150 (62)	78,800 (73.5)	77,500 (75.5)	57,050 (78.5)	*43,300 (80)				
15	66,050 (56)	65,750 (70)	66,000 (72.5)	51,650 (76)	43,300 (78.5)	*32,100 (80)			
20	51,950 (44.5)	49,050 (64.5)	46,450 (67.5)	44,350 (71.5)	39,550 (75)	32,100 (77.5)	30,050 (79.5)	*20,150 (80)	
25	34,550 (29.5)	31,550 (58)	30,050 (62)	31,950 (67.5)	30,200 (71.5)	30,600 (74.5)	30,050 (77)	20,150 (79)	*19,000 (80)
30		21,900 (51)	21,050 (56.5)	23,350 (63)	22,300 (68)	23,050 (71.5)	23,450 (74.5)	19,100 (76.5)	18,300 (78.5)
35		15,800 (43.5)	15,300 (50)	16,750 (58.5)	16,000 (64)	17,200 (68.5)	18,350 (71.5)	18,100 (74)	17,650 (76.5)
40		11,550 (34.5)	11,350 (43)	12,100 (53.5)	11,600 (60)	12,750 (65)	13,900 (69)	15,000 (72)	15,300 (74)
45		8,500 (21.5)	8,510 (35)	8,680 (48.5)	8,450 (56)	9,550 (61.5)	10,650 (66)	11,750 (69)	12,550 (72)
50	See Note 16		6,310 (24.5)	6,070 (42.5)	6,010 (52)	7,080 (58.5)	8,150 (63)	9,210 (66.5)	10,250 (69.5)
60				2,350 (28)	2,540 (42.5)	3,560 (51)	4,570 (57)	5,580 (61.5)	6,590 (65)
70						1,160 (42.5)	2,140 (50)	3,120 (56)	4,100 (60)
80								1,340 (49.5)	2,300 (55)
0.1A (lbs.)	1,250	1,340	1,310	1,330	1,350	1,230	1,140	1,070	1,020
Minimum boom angle (deg.) for indicated length (no load)				20	31	38	43	47	50
Maximum boom length (ft.) at 0 degree boom angle (no load)				61					

NOTE: () Boom angles are in degrees.

#LMI operating code. Refer to LMI manual for instructions.

*This capacity is based on maximum boom angle.

Lifting Capacities On Outriggers 50% Extended - 360° At Zero Degree Boom Angle									
Boom Angle	Main Boom Length in Feet								
	35	55	61						
0°	26,400 (28.2)	7,320 (47.4)	4,970 (53.8)						

NOTE: () Reference radii in feet.

A6-829-014917

Ext. %									
Inner-mid	0	50	50	75	100	100	100	100	100
Center-mid	0	25	50	75	100	100	100	100	100
Outer-mid	0	0	0	0	0	25	50	75	100
Fly	0	0	0	0	0	25	50	75	100



**31 FT. - 56 FT. FOLDING BOOM EXTENSION
WITH 12,500 lb COUNTERWEIGHT USING 125 FT. MAIN BOOM**

ON OUTRIGGERS 50% EXTENDED - 360°

Radius in Feet	31 FT. LENGTH			56 FT. LENGTH		
	#4621	#4622	#4623	#4641	#4642	#4643
	1.5° OFFSET	25° OFFSET	45° OFFSET	1.5° OFFSET	25° OFFSET	45° OFFSET
30	*11,500 (80)					
35	11,500 (78.5)					
40	11,500 (77)	*10,000 (80)		6,950 (79.5)		
45	11,500 (75)	9,300 (78.5)	*8,000 (80)	6,780 (78.5)		
50	10,250 (73.5)	8,790 (76.5)	6,810 (78.5)	6,620 (77)		
60	7,040 (70)	7,960 (72.5)	6,490 (74.5)	6,290 (74)	*4,900 (80)	
70	4,640 (66)	5,710 (68.5)	6,400 (70.5)	5,380 (71)	4,560 (76.5)	*3,700 (80)
80	2,760 (62)	3,550 (64.5)	4,470 (66)	3,660 (67.5)	4,230 (73)	3,520 (76.5)
90	1,340 (57.5)	1,910 (60)	2,670 (61.5)	2,310 (64.5)	3,760 (69.5)	3,400 (72.5)
100			1,170 (56.5)	1,220 (60.5)	2,380 (65.5)	3,250 (68.5)
110					1,210 (61.5)	1,920 (64)
0.1A (lbs.)	990	940	900	910	870	810
No Load Stability Data						
Minimum boom angle (deg.) for indicated length	52	53	53	57	59	59
Maximum boom length (ft.) at 0 deg. boom angle	61			55		

NOTE: () Boom angles are in degrees.

A6-829-014936

#LMI operating code. Refer to LMI manual for operating instructions.

*This capacity is based on maximum boom angle.

1. All capacities above the bold line are based on structural strength of boom extension. Capacities correspond to SAE J1289 (Test Load = 1.25P + 0.1A). 0.1A represents one-tenth (0.10) of the total boom weight reduced to the boom point.
2. 31 ft. and 56 ft. folding boom extension lengths may be used for single line lifting service only.
3. For main boom lengths less than 125 ft. with the boom extension erected, the rated loads are determined by boom angle. Use only the column which corresponds to the boom extension length and offset for which the machine is set up. For boom angles not shown, use rating of the next lower boom angle.
4. **WARNING:** Operation of this machine with heavier loads than the capacities listed is strictly prohibited. Machine tipping with boom extension occurs rapidly and without advance warning.
5. Boom angle is the angle above or below horizontal of the longitudinal axis of the boom base section after lifting rated load.
6. Capacities listed are with outriggers properly extended and vertical jacks set only.



**31 FT. - 56 FT. FOLDING BOOM EXTENSION
WITH 12,500 lb COUNTERWEIGHT USING 138 FT. MAIN BOOM**

ON OUTRIGGERS 50% EXTENDED - 360°

Radius in Feet	31 FT. LENGTH			56 FT. LENGTH		
	#4621	#4622	#4623	#4641	#4642	#4643
	1.5° OFFSET	25° OFFSET	45° OFFSET	1.5° OFFSET	25° OFFSET	45° OFFSET
35	9,500 (79.5)					
40	9,500 (78)			*5,500 (80)		
45	9,500 (76.5)	*8,750 (80)		5,400 (79.5)		
50	9,500 (75)	7,490 (78.5)	*7,800 (80)	5,300 (78)		
60	7,200 (71.5)	7,060 (75)	6,740 (77)	5,100 (75.5)	*4,640 (80)	
70	4,920 (68.5)	6,040 (71.5)	6,460 (73.5)	4,900 (72.5)	4,430 (78)	*3,600 (80)
80	3,190 (64.5)	4,130 (68)	4,700 (69.5)	3,740 (69.5)	4,220 (74.5)	3,500 (77.5)
90	1,740 (60.5)	2,630 (64)	3,050 (65.5)	2,400 (66.5)	3,860 (71)	3,400 (74)
100		1,350 (60)	1,600 (61)	1,330 (63.5)	2,580 (67.5)	3,300 (70.5)
110					1,510 (64)	2,180 (67)
120						1,140 (63)
0.1A (lbs.)	960	920	880	900	860	810
No Load Stability Data						
Minimum boom angle (deg.) for indicated length	55	56	56	59	61	61
Maximum boom length (ft.) at 0 deg. boom angle	61			55		

NOTE: () Boom angles are in degrees.

A6-829-014935

#LMI operating code. Refer to LMI manual for operating instructions.

*This capacity is based on maximum boom angle.

1. All capacities above the bold line are based on structural strength of boom extension. Capacities correspond to SAE J1289 (Test Load = 1.25P + 0.1A). 0.1A represents one-tenth (0.10) of the total boom weight reduced to the boom point.
2. 31 ft. and 56 ft. folding boom extension lengths may be used for single line lifting service only.
3. For main boom lengths between 125 ft. and fully extended with the boom extension erected, the rated loads are determined by boom angle. Use only the column which corresponds to the boom extension length and offset for which the machine is set up. For boom angles not shown, use rating of the next lower boom angle.
4. **WARNING:** Operation of this machine with heavier loads than the capacities listed is strictly prohibited. Machine tipping with boom extension occurs rapidly and without advance warning.
5. Boom angle is the angle above or below horizontal of the longitudinal axis of the boom base section after lifting rated load.
6. Capacities listed are with outriggers properly extended and vertical jacks set only.



**RATED LIFTING CAPACITIES IN POUNDS WITH 8,500 lb COUNTERWEIGHT
35 FT. - 138 FT. BOOM (MODE B)
ON OUTRIGGERS FULLY EXTENDED - 360°**

Radius in Feet	#001								
	Main Boom Length in Feet								
	35	55	61	74	87	99	112	125	138
10	+140,000 (65.5)	79,100 (76)	78,450 (77.5)	*57,050 (80)					
12	110,000 (62)	79,100 (73.5)	77,500 (75.5)	57,050 (78.5)	*43,300 (80)				
15	95,800 (56)	79,100 (70)	69,850 (72.5)	51,650 (76)	43,300 (78.5)	*32,100 (80)			
20	70,700 (44.5)	70,300 (64.5)	59,850 (67.5)	44,350 (71.5)	39,550 (75)	32,100 (77.5)	30,050 (79.5)	*20,150 (80)	
25	53,150 (29.5)	52,850 (58)	52,200 (62)	38,750 (67.5)	33,800 (71.5)	32,100 (74.5)	30,050 (77)	20,150 (79)	*19,000 (80)
30		41,400 (51)	41,800 (56.5)	34,200 (63)	29,200 (68)	30,200 (71.5)	27,350 (74.5)	19,100 (76.5)	18,300 (78.5)
35		31,850 (43.5)	31,950 (50)	29,050 (58.5)	25,800 (64)	26,600 (68.5)	24,300 (71.5)	18,100 (74)	17,650 (76.5)
40		24,700 (34.5)	24,750 (43)	24,800 (53.5)	22,900 (60)	23,450 (65)	21,600 (69)	17,250 (72)	17,000 (74)
45		19,550 (21.5)	19,550 (35)	19,750 (48.5)	19,500 (56)	20,450 (61.5)	19,250 (66)	16,450 (69)	16,350 (72)
50	See Note 16		15,700 (24.5)	15,400 (42.5)	15,350 (52)	16,550 (58.5)	16,900 (63)	15,750 (66.5)	15,700 (69.5)
60				9,490 (28)	9,730 (42.5)	10,800 (51)	11,900 (57)	13,000 (61.5)	13,300 (65)
70					6,020 (30)	7,040 (42.5)	8,080 (50)	9,130 (56)	10,200 (60)
80						4,390 (32)	5,390 (42.5)	6,400 (49.5)	7,430 (55)
90						2,420 (15.5)	3,390 (33.5)	4,370 (43)	5,370 (49.5)
100							1,840 (21)	2,800 (35)	3,770 (43)
110								1,550 (24.5)	2,510 (36)
120									1,480 (27)
Minimum boom angle (deg.) for indicated length (no load)								5	10
Maximum boom length (ft.) at 0 degree boom angle (no load)								112	

NOTE: () Boom angles are in degrees.

#LMI operating code. Refer to LMI manual for instructions.

*This capacity is based on maximum boom angle.

+12 parts line required to lift this capacity (using aux. boom nose). Refer to Operator's and Safety Handbook for reeving diagram.

Lifting Capacities On Outriggers Fully Extended - 360° At Zero Degree Boom Angle										
Boom Angle	Main Boom Length in Feet									
	35	55	61	74	87	99	112			
0°	26,400 (28.2)	12,500 (47.4)	10,150 (53.8)	6,240 (66.6)	3,420 (79.4)	2,060 (92.2)	1,200 (105)			

NOTE: () Reference radii in feet.

A6-829-014530A

Ext. %									
Inner-mid	0	50	50	75	100	100	100	100	100
Center-mid	0	25	50	75	100	100	100	100	100
Outer-mid	0	0	0	0	0	25	50	75	100
Fly	0	0	0	0	0	25	50	75	100



**31 FT. - 56 FT. FOLDING BOOM EXTENSION
WITH 8,500 lb COUNTERWEIGHT USING 125 FT. MAIN BOOM
ON OUTRIGGERS FULLY EXTENDED - 360°**

Radius in Feet	31 FT. LENGTH			56 FT. LENGTH		
	#0021	#0022	#0023	#0041	#0042	#0043
	1.5° OFFSET	25° OFFSET	45° OFFSET	1.5° OFFSET	25° OFFSET	45° OFFSET
30	*11,500 (80)					
35	11,500 (78.5)					
40	11,500 (77)	*10,000 (80)		6,950 (79.5)		
45	11,500 (75)	9,300 (78.5)	*8,000 (80)	6,780 (78.5)		
50	11,000 (73.5)	8,790 (76.5)	6,810 (78.5)	6,620 (77)		
60	10,050 (70)	7,960 (72.5)	6,490 (74.5)	6,290 (74)	*4,900 (80)	
70	9,220 (66)	7,360 (68.5)	6,400 (70.5)	5,960 (71)	4,560 (76.5)	*3,700 (80)
80	7,910 (62)	6,900 (64.5)	6,350 (66)	5,640 (67.5)	4,230 (73)	3,520 (76.5)
90	5,790 (57.5)	6,380 (60)	6,340 (61.5)	5,260 (64.5)	3,870 (69.5)	3,400 (72.5)
100	4,140 (53)	4,550 (55)	5,110 (56.5)	4,980 (60.5)	3,700 (65.5)	3,290 (68.5)
110	2,840 (47.5)	3,090 (50)	3,460 (51)	4,060 (56.5)	3,480 (61.5)	3,190 (64)
120	1,770 (41.5)	1,900 (44)		2,860 (52)	3,290 (57.5)	3,110 (59.5)
130				1,860 (47.5)	2,380 (52.5)	2,830 (54)
140				1,020 (42.5)	1,430 (47.5)	
No Load Stability Data						
Minimum boom angle (deg.) for indicated length	37	39	46	42	46	47
Maximum boom length (ft.) at 0 deg. boom angle.	99			87		

NOTE: () Boom angles are in degrees.

A6-829-014542

#LMI operating code. Refer to LMI manual for operating instructions.

*This capacity is based on maximum boom angle.

- All capacities above the bold line are based on structural strength of boom extension and do not exceed 85% of tipping loads, in accordance with SAE J-765.
- 31 ft. and 56 ft. folding boom extension lengths may be used for single line lifting service only.
- For main boom lengths less than 125 ft. with the boom extension erected, the rated loads are determined by boom angle. Use only the column which corresponds to the boom extension length and offset for which the machine is set up. For boom angles not shown, use rating of the next lower boom angle.
- WARNING:** Operation of this machine with heavier loads than the capacities listed is strictly prohibited. Machine tipping with boom extension occurs rapidly and without advance warning.
- Boom angle is the angle above or below horizontal of the longitudinal axis of the boom base section after lifting rated load.
- Capacities listed are with outriggers properly extended and vertical jacks set only.



**31 FT. - 56 FT. FOLDING BOOM EXTENSION
WITH 8,500 lb COUNTERWEIGHT USING 138 FT. MAIN BOOM
ON OUTRIGGERS FULLY EXTENDED - 360°**

Radius in Feet	31 FT. LENGTH			56 FT. LENGTH		
	#0021	#0022	#0023	#0041	#0042	#0043
	1.5° OFFSET	25° OFFSET	45° OFFSET	1.5° OFFSET	25° OFFSET	45° OFFSET
35	9,500 (79.5)					
40	9,500 (78)			*5,500 (80)		
45	9,500 (76.5)	*8,750 (80)		5,400 (79.5)		
50	9,500 (75)	7,490 (78.5)	*7,800 (80)	5,300 (78)		
60	9,110 (71.5)	7,060 (75)	6,740 (77)	5,100 (75.5)	*4,640 (80)	
70	8,450 (68.5)	6,720 (71.5)	6,460 (73.5)	4,900 (72.5)	4,430 (78)	*3,600 (80)
80	7,550 (64.5)	6,330 (68)	6,350 (69.5)	4,700 (69.5)	4,220 (74.5)	3,500 (77.5)
90	6,200 (60.5)	6,060 (64)	6,280 (65.5)	4,500 (66.5)	4,120 (71)	3,400 (74)
100	4,530 (56.5)	5,330 (60)	5,580 (61)	4,300 (63.5)	3,810 (67.5)	3,300 (70.5)
110	3,200 (52)	3,860 (55.5)	3,970 (56.5)	4,100 (59.5)	3,600 (64)	3,200 (67)
120	2,120 (47)	2,660 (50.5)	2,660 (52)	3,120 (56)	3,400 (60.5)	3,100 (63)
130	1,220 (41.5)	1,660 (45)		2,150 (52)	2,640 (56)	3,000 (58.5)
140				1,320 (47.5)	1,640 (51.5)	1,920 (53.5)
No Load Stability Data						
Minimum boom angle (deg.) for indicated length	39	44	45	47	49	50
Maximum boom length (ft.) at 0 deg. boom angle	99			87		

NOTE: () Boom angles are in degrees.

A6-829-014543A

#LMI operating code. Refer to LMI manual for operating instructions.

*This capacity is based on maximum boom angle.

- All capacities above the bold line are based on structural strength of boom extension and do not exceed 85% of tipping loads, in accordance with SAE J-765.
- 31 ft. and 56 ft. folding boom extension lengths may be used for single line lifting service only.
- For main boom lengths between 125 ft. and fully extended with the boom extension erected, the rated loads are determined by boom angle. Use only the column which corresponds to the boom extension length and offset for which the machine is set up. For boom angles not shown, use rating of the next lower boom angle.
- WARNING:** Operation of this machine with heavier loads than the capacities listed is strictly prohibited. Machine tipping with boom extension occurs rapidly and without advance warning.
- Boom angle is the angle above or below horizontal of the longitudinal axis of the boom base section after lifting rated load.
- Capacities listed are with outriggers properly extended and vertical jacks set only.



**RATED LIFTING CAPACITIES IN POUNDS WITH 8,500 lb COUNTERWEIGHT
35 FT. - 138 FT. BOOM (MODE B)**

ON OUTRIGGERS 50% EXTENDED - 360°

Radius in Feet	#4001								
	Main Boom Length in Feet								
	35	55	61	74	87	99	112	125	138
10	90,000 (65.5)	79,100 (76)	78,450 (77.5)	*57,050 (80)					
12	79,150 (62)	78,800 (73.5)	77,500 (75.5)	57,050 (78.5)	*43,300 (80)				
15	66,050 (56)	65,750 (70)	66,000 (72.5)	51,650 (76)	43,300 (78.5)	*32,100 (80)			
20	49,200 (44.5)	42,700 (64.5)	40,050 (67.5)	40,450 (71.5)	37,950 (75)	32,100 (77.5)	30,050 (79.5)	*20,150 (80)	
25	31,550 (29.5)	27,000 (58)	25,550 (62)	28,250 (67.5)	26,600 (71.5)	27,100 (74.5)	27,300 (77)	20,150 (79)	*19,000 (80)
30		18,400 (51)	17,500 (56.5)	20,000 (63)	18,800 (68)	20,100 (71.5)	20,650 (74.5)	19,100 (76.5)	18,300 (78.5)
35		12,900 (43.5)	12,450 (50)	13,900 (58.5)	13,100 (64)	14,300 (68.5)	15,550 (71.5)	16,350 (74)	16,600 (76.5)
40		9,150 (34.5)	8,970 (43)	9,670 (53.5)	9,210 (60)	10,350 (65)	11,500 (69)	12,650 (72)	13,300 (74)
45		6,390 (21.5)	6,400 (35)	6,580 (48.5)	6,350 (56)	7,450 (61.5)	8,550 (66)	9,650 (69)	10,700 (72)
50	See Note 16		4,450 (24.5)	4,210 (42.5)	4,160 (52)	5,230 (58.5)	6,290 (63)	7,350 (66.5)	8,410 (69.5)
60					1,040 (42.5)	2,060 (51)	3,070 (57)	4,080 (61.5)	5,090 (65)
70								1,860 (56)	2,840 (60)
80									1,210 (55)
0.1A (lbs.)	1,250	1,340	1,310	1,330	1,350	1,230	1,140	1,070	1,020
Minimum boom angle (deg.) for indicated length (no load)				31	42	47	51	53	54
Maximum boom length (ft.) at 0 degree boom angle (no load)				61					

NOTE: () Boom angles are in degrees.

#LMI operating code. Refer to LMI manual for instructions.

*This capacity is based on maximum boom angle.

Lifting Capacities On Outriggers 50% Extended - 360° At Zero Degree Boom Angle									
Boom Angle	Main Boom Length in Feet								
	35	55	61						
0°	24,800 (28.2)	5,340 (47.4)	3,270 (53.8)						

NOTE: () Reference radii in feet.

A6-829-014531

Ext. %									
Inner-mid	0	50	50	75	100	100	100	100	100
Center-mid	0	25	50	75	100	100	100	100	100
Outer-mid	0	0	0	0	0	25	50	75	100
Fly	0	0	0	0	0	25	50	75	100



31 FT. - 56 FT. FOLDING BOOM EXTENSION
WITH 8,500 lb COUNTERWEIGHT USING 125 FT. MAIN BOOM

ON OUTRIGGERS 50% EXTENDED - 360°

Radius in Feet	31 FT. LENGTH			56 FT. LENGTH		
	#4021	#4022	#4023	#4041	#4042	#4043
	1.5° OFFSET	25° OFFSET	45° OFFSET	1.5° OFFSET	25° OFFSET	45° OFFSET
30	*11,500 (80)					
35	11,500 (78.5)					
40	11,500 (77)	*10,000 (80)		6,950 (79.5)		
45	10,650 (75)	9,300 (78.5)	*8,000 (80)	6,780 (78.5)		
50	8,700 (73.5)	8,790 (76.5)	6,810 (78.5)	6,620 (77)		
60	5,730 (70)	7,120 (72.5)	6,490 (74.5)	6,290 (74)	*4,900 (80)	
70	3,380 (66)	4,450 (68.5)	5,450 (70.5)	4,280 (71)	4,560 (76.5)	*3,700 (80)
80	1,680 (62)	2,460 (64.5)	3,470 (66)	2,680 (67.5)	4,230 (73)	3,520 (76.5)
90			1,710 (61.5)	1,440 (64.5)	2,890 (69.5)	3,400 (72.5)
100					1,610 (65.5)	2,420 (68.5)
110						1,150 (64)
0.1A (lbs.)	990	940	900	910	870	810
No Load Stability Data						
Minimum boom angle (deg.) for indicated length	59	60	60	61	62	63
Maximum boom length(ft.) at 0 deg. boom angle	55			35		

NOTE: () Boom angles are in degrees.

A6-829-014550

#LMI operating code. Refer to LMI manual for operating instructions.

*This capacity is based on maximum boom angle.

- All capacities above the bold line are based on structural strength of boom extension. Capacities correspond to SAE J1289 (Test Load = 1.25P + 0.1A). 0.1A represents one-tenth (0.10) of the total boom weight reduced to the boom point.
- 31 ft. and 56 ft. folding boom extension lengths may be used for single line lifting service only.
- For main boom lengths less than 125 ft. with the boom extension erected, the rated loads are determined by boom angle. Use only the column which corresponds to the boom extension length and offset for which the machine is set up. For boom angles not shown, use rating of the next lower boom angle.
- WARNING:** Operation of this machine with heavier loads than the capacities listed is strictly prohibited. Machine tipping with boom extension occurs rapidly and without advance warning.
- Boom angle is the angle above or below horizontal of the longitudinal axis of the boom base section after lifting rated load.
- Capacities listed are with outriggers properly extended and vertical jacks set only.



**31 FT. - 56 FT. FOLDING BOOM EXTENSION
WITH 8,500 lb COUNTERWEIGHT USING 138 FT. MAIN BOOM**

ON OUTRIGGERS 50% EXTENDED - 360°

Radius in Feet	31 FT. LENGTH			56 FT. LENGTH		
	#4021	#4022	#4023	#4041	#4042	#4043
	1.5° OFFSET	25° OFFSET	45° OFFSET	1.5° OFFSET	25° OFFSET	45° OFFSET
35	9,500 (79.5)					
40	9,500 (78)			*5,500 (80)		
45	9,500 (76.5)	*8,750 (80)		5,400 (79.5)		
50	8,820 (75)	7,490 (78.5)	*7,800 (80)	5,300 (78)		
60	5,900 (71.5)	7,060 (75)	6,740 (77)	5,100 (75.5)	*4,640 (80)	
70	3,800 (68.5)	4,910 (71.5)	5,640 (73.5)	4,340 (72.5)	4,430 (78)	*3,600 (80)
80	2,110 (64.5)	3,140 (68)	3,710 (69.5)	2,770 (69.5)	4,220 (74.5)	3,500 (77.5)
90		1,690 (64)	2,100 (65.5)	1,540 (66.5)	2,990 (71)	3,400 (74)
100					1,790 (67.5)	2,600 (70.5)
110						1,460 (67)
0.1A (lbs.)	960	920	880	900	860	810
No Load Stability Data						
Minimum boom angle (deg.) for indicated length	61	62	63	64	65	66
Maximum boom length (ft.) at 0 deg. boom angle	55			35		

NOTE: () Boom angles are in degrees.

A6-829-014551

#LMI operating code. Refer to LMI manual for operating instructions.

*This capacity is based on maximum boom angle.

1. All capacities above the bold line are based on structural strength of boom extension. Capacities correspond to SAE J1289 (Test Load = 1.25P + 0.1A). 0.1A represents one-tenth (0.10) of the total boom weight reduced to the boom point.
2. 31 ft. and 56 ft. folding boom extension lengths may be used for single line lifting service only.
3. For main boom lengths between 125 ft. and fully extended with the boom extension erected, the rated loads are determined by boom angle. Use only the column which corresponds to the boom extension length and offset for which the machine is set up. For boom angles not shown, use rating of the next lower boom angle.
4. **WARNING:** Operation of this machine with heavier loads than the capacities listed is strictly prohibited. Machine tipping with boom extension occurs rapidly and without advance warning.
5. Boom angle is the angle above or below horizontal of the longitudinal axis of the boom base section after lifting rated load.
6. Capacities listed are with outriggers properly extended and vertical jacks set only.



**RATED LIFTING CAPACITIES IN POUNDS WITH 8,500 lb COUNTERWEIGHT
35 FT. - 138 FT. BOOM (MODE B)**

ON OUTRIGGERS 0% EXTENDED - 360°

Radius in Feet	#8001								
	Main Boom Length in Feet								
	35	55	61	74	87	99	112	125	138
10	56,500 (65.5)	47,000 (76)	45,450 (77.5)	*41,150 (80)					
12	43,600 (62)	36,750 (73.5)	35,800 (75.5)	32,600 (78.5)	*30,000 (80)				
15	31,150 (56)	26,600 (70)	26,150 (72.5)	23,900 (76)	22,100 (78.5)	*22,350 (80)			
20	18,550 (44.5)	16,600 (64.5)	16,500 (67.5)	15,050 (71.5)	13,850 (75)	14,550 (77.5)	14,950 (79.5)	*15,100 (80)	
25	11,400 (29.5)	10,500 (58)	10,650 (62)	9,630 (67.5)	8,760 (71.5)	9,670 (74.5)	10,250 (77)	10,600 (79)	*10,850 (80)
30		6,470 (51)	6,670 (56.5)	5,950 (63)	5,290 (68)	6,310 (71.5)	7,010 (74.5)	7,500 (76.5)	7,840 (78.5)
35		3,580 (43.5)	3,580 (50)	3,250 (58.5)	2,760 (64)	3,850 (68.5)	4,620 (71.5)	5,180 (74)	5,580 (76.5)
40	See Note 16	1,440 (34.5)	1,330 (43)	1,050 (53.5)		1,980 (65)	2,790 (69)	3,390 (72)	3,840 (74)
45							1,350 (66)	1,980 (69)	2,460 (72)
50									1,330 (69.5)
0.1A (lbs.)	1,250	1,340	1,310	1,330	1,350	1,230	1,140	1,070	1,020
Minimum boom angle (deg.) for indicated length (no load)		30	42	53	61	64	65	67	68
Maximum boom length (ft.) at 0 degree boom angle (no load)	35								

NOTE: () Boom angles are in degrees.

#LMI operating code. Refer to LMI manual for instructions.

*This capacity is based on maximum boom angle.

Lifting Capacities On Outriggers 0% Extended - 360° At Zero Degree Boom Angle									
Boom Angle	Main Boom Length in Feet								
	35								
0°	8,370 (28.2)								

NOTE: () Reference radii in feet.

A6-829-014532

Ext. %									
Inner-mid	0	50	50	75	100	100	100	100	100
Center-mid	0	25	50	75	100	100	100	100	100
Outer-mid	0	0	0	0	0	25	50	75	100
Fly	0	0	0	0	0	25	50	75	100



**RATED LIFTING CAPACITIES IN POUNDS WITH 5,500 lb COUNTERWEIGHT
35 FT. - 138 FT. BOOM (MODE B)
ON OUTRIGGERS FULLY EXTENDED - 360°**

Radius in Feet	#0101								
	Main Boom Length in Feet								
	35	55	61	74	87	99	112	125	138
10	+140,000 (65.5)	79,100 (76)	78,450 (77.5)	*57,050 (80)					
12	110,000 (62)	79,100 (73.5)	77,500 (75.5)	57,050 (78.5)	*43,300 (80)				
15	95,800 (56)	79,100 (70)	69,850 (72.5)	51,650 (76)	43,300 (78.5)	*32,100 (80)			
20	68,550 (44.5)	68,150 (64.5)	59,850 (67.5)	44,350 (71.5)	39,550 (75)	32,100 (77.5)	30,050 (79.5)	*20,150 (80)	
25	51,450 (29.5)	51,150 (58)	51,550 (62)	38,750 (67.5)	33,800 (71.5)	32,100 (74.5)	30,050 (77)	20,150 (79)	*19,000 (80)
30		39,750 (51)	39,600 (56.5)	34,200 (63)	29,200 (68)	30,200 (71.5)	27,350 (74.5)	19,100 (76.5)	18,300 (78.5)
35		29,550 (43.5)	29,500 (50)	29,050 (58.5)	25,800 (64)	26,600 (68.5)	24,300 (71.5)	18,100 (74)	17,650 (76.5)
40		22,750 (34.5)	22,500 (43)	22,850 (53.5)	22,750 (60)	23,450 (65)	21,600 (69)	17,250 (72)	17,000 (74)
45		17,650 (21.5)	17,650 (35)	17,850 (48.5)	17,600 (56)	18,800 (61.5)	19,250 (66)	16,450 (69)	16,350 (72)
50	See Note 16		14,050 (24.5)	13,800 (42.5)	13,750 (52)	14,900 (58.5)	16,050 (63)	15,750 (66.5)	15,700 (69.5)
60				8,190 (28)	8,430 (42.5)	9,500 (51)	10,550 (57)	11,700 (61.5)	12,800 (65)
70					4,950 (30)	5,970 (42.5)	7,000 (50)	8,060 (56)	9,120 (60)
80						3,470 (32)	4,470 (42.5)	5,480 (49.5)	6,510 (55)
90						1,610 (15.5)	2,580 (33.5)	3,570 (43)	4,560 (49.5)
100							1,130 (21)	2,090 (35)	3,060 (43)
110									1,870 (36)
Minimum boom angle (deg.) for indicated length (no load)							20	27	33
Maximum boom length (ft.) at 0 degree boom angle (no load)							99		

NOTE: () Boom angles are in degrees.

#LMI operating code. Refer to LMI manual for instructions.

*This capacity is based on maximum boom angle.

+12 parts line required to lift this capacity (using aux. boom nose). Refer to Operator's and Safety Handbook for reeving diagram.

Lifting Capacities On Outriggers Fully Extended - 360° At Zero Degree Boom Angle									
Boom Angle	Main Boom Length in Feet								
	35	55	61	74	87	99			
0°	26,400 (28.2)	12,500 (47.4)	10,150 (53.8)	5,640 (66.6)	2,630 (79.4)	1,280 (92.2)			

NOTE: () Reference radii in feet.

A6-829-014533A

Ext. %									
Inner-mid	0	50	50	75	100	100	100	100	100
Center-mid	0	25	50	75	100	100	100	100	100
Outer-mid	0	0	0	0	0	25	50	75	100
Fly	0	0	0	0	0	25	50	75	100



**31 FT. - 56 FT. FOLDING BOOM EXTENSION
WITH 5,500 lb COUNTERWEIGHT USING 125 FT. MAIN BOOM
ON OUTRIGGERS FULLY EXTENDED - 360°**

Radius in Feet	31 FT. LENGTH			56 FT. LENGTH		
	#0121	#0122	#0123	#0141	#0142	#0143
	1.5° OFFSET	25° OFFSET	45° OFFSET	1.5° OFFSET	25° OFFSET	45° OFFSET
30	*11,500 (80)					
35	11,500 (78.5)					
40	11,500 (77)	*10,000 (80)		6,950 (79.5)		
45	11,500 (75)	9,300 (78.5)	*8,000 (80)	6,780 (78.5)		
50	11,000 (73.5)	8,790 (76.5)	6,810 (78.5)	6,620 (77)		
60	10,050 (70)	7,960 (72.5)	6,490 (74.5)	6,290 (74)	*4,900 (80)	
70	9,220 (66)	7,360 (68.5)	6,400 (70.5)	5,960 (71)	4,560 (76.5)	*3,700 (80)
80	6,990 (62)	6,900 (64.5)	6,350 (66)	5,640 (67.5)	4,230 (73)	3,520 (76.5)
90	4,990 (57.5)	5,740 (60)	6,340 (61.5)	5,260 (64.5)	3,870 (69.5)	3,400 (72.5)
100	3,430 (53)	3,960 (55)	4,400 (56.5)	4,820 (60.5)	3,700 (65.5)	3,290 (68.5)
110	2,200 (47.5)	2,530 (50)	2,820 (51)	3,420 (56.5)	3,480 (61.5)	3,190 (64)
120	1,190 (41.5)	1,380 (44)		2,280 (52)	2,930 (57.5)	3,110 (59.5)
130				1,330 (47.5)	1,850 (52.5)	2,300 (54)
No Load Stability Data						
Minimum boom angle (deg.) for indicated length	40	41	48	47	48	49
Maximum boom length (ft.) at 0 deg. boom angle	74			74		

NOTE: () Boom angles are in degrees.

A6-829-014544

#LMI operating code. Refer to LMI manual for operating instructions.

*This capacity is based on maximum boom angle.

- All capacities above the bold line are based on structural strength of boom extension and do not exceed 85% of tipping loads, in accordance with SAE J-765.
- 31 ft. and 56 ft. folding boom extension lengths may be used for single line lifting service only.
- For main boom lengths less than 125 ft. with the boom extension erected, the rated loads are determined by boom angle. Use only the column which corresponds to the boom extension length and offset for which the machine is set up. For boom angles not shown, use rating of the next lower boom angle.
- WARNING:** Operation of this machine with heavier loads than the capacities listed is strictly prohibited. Machine tipping with boom extension occurs rapidly and without advance warning.
- Boom angle is the angle above or below horizontal of the longitudinal axis of the boom base section after lifting rated load.
- Capacities listed are with outriggers properly extended and vertical jacks set only.



**31 FT. - 56 FT. FOLDING BOOM EXTENSION
WITH 5,500 lb COUNTERWEIGHT USING 138 FT. MAIN BOOM**

ON OUTRIGGERS FULLY EXTENDED - 360°

Radius in Feet	31 FT. LENGTH			56 FT. LENGTH		
	#0121	#0122	#0123	#0141	#0142	#0143
	1.5° OFFSET	25° OFFSET	45° OFFSET	1.5° OFFSET	25° OFFSET	45° OFFSET
35	9,500 (79.5)					
40	9,500 (78)			*5,500 (80)		
45	9,500 (76.5)	*8,750 (80)		5,400 (79.5)		
50	9,500 (75)	7,490 (78.5)	*7,800 (80)	5,300 (78)		
60	9,110 (71.5)	7,060 (75)	6,740 (77)	5,100 (75.5)	*4,640 (80)	
70	8,450 (68.5)	6,720 (71.5)	6,460 (73.5)	4,900 (72.5)	4,430 (78)	*3,600 (80)
80	7,450 (64.5)	6,330 (68)	6,350 (69.5)	4,700 (69.5)	4,220 (74.5)	3,500 (77.5)
90	5,400 (60.5)	6,060 (64)	6,280 (65.5)	4,500 (66.5)	4,120 (71)	3,400 (74)
100	3,820 (56.5)	4,390 (60)	4,870 (61)	4,300 (63.5)	3,810 (67.5)	3,300 (70.5)
110	2,560 (52)	2,980 (55.5)	3,330 (56.5)	3,660 (59.5)	3,600 (64)	3,200 (67)
120	1,540 (47)	1,830 (50.5)	2,080 (52)	2,540 (56)	3,250 (60.5)	3,100 (63)
130				1,620 (52)	2,110 (56)	2,540 (58.5)
140					1,150 (51.5)	1,430 (53.5)
No Load Stability Data						
Minimum boom angle (deg.) for indicated length	44	44	45	50	51	52
Maximum boom length (ft.) at 0 deg. boom angle	74			74		

NOTE: () Boom angles are in degrees.

A6-829-014545

#LMI operating code. Refer to LMI manual for operating instructions.

* This capacity is based on maximum boom angle.

1. All capacities above the bold line are based on structural strength of boom extension and do not exceed 85% of tipping loads, in accordance with SAE J-765.
2. 31 ft. and 56 ft. folding boom extension lengths may be used for single line lifting service only.
3. For main boom lengths between 125 ft. and fully extended with the boom extension erected, the rated loads are determined by boom angle. Use only the column which corresponds to the boom extension length and offset for which the machine is set up. For boom angles not shown, use rating of the next lower boom angle.
4. **WARNING:** Operation of this machine with heavier loads than the capacities listed is strictly prohibited. Machine tipping with boom extension occurs rapidly and without advance warning.
5. Boom angle is the angle above or below horizontal of the longitudinal axis of the boom base section after lifting rated load.
6. Capacities listed are with outriggers properly extended and vertical jacks set only.



**RATED LIFTING CAPACITIES IN POUNDS WITH 5,500 lb COUNTERWEIGHT
35 FT. - 138 FT. BOOM (MODE B)**

ON OUTRIGGERS 50% EXTENDED - 360°

Radius in Feet	#4101								
	Main Boom Length in Feet								
	35	55	61	74	87	99	112	125	138
10	89,350 (65.5)	79,100 (76)	78,450 (77.5)	*57,050 (80)					
12	77,350 (62)	77,000 (73.5)	77,300 (75.5)	57,050 (78.5)	*43,300 (80)				
15	65,500 (56)	65,100 (70)	63,200 (72.5)	51,650 (76)	43,300 (78.5)	*32,100 (80)			
20	45,250 (44.5)	38,750 (64.5)	36,100 (67.5)	36,850 (71.5)	34,500 (75)	32,100 (77.5)	30,050 (79.5)	*20,150 (80)	
25	28,750 (29.5)	24,200 (58)	22,700 (62)	25,450 (67.5)	23,900 (71.5)	24,500 (74.5)	24,750 (77)	20,150 (79)	*19,000 (80)
30		16,200 (51)	15,350 (56.5)	17,850 (63)	16,600 (68)	17,900 (71.5)	18,550 (74.5)	18,800 (76.5)	18,300 (78.5)
35		11,150 (43.5)	10,650 (50)	12,100 (58.5)	11,350 (64)	12,550 (68.5)	13,750 (71.5)	14,600 (74)	14,850 (76.5)
40		7,650 (34.5)	7,460 (43)	8,170 (53.5)	7,710 (60)	8,860 (65)	10,000 (69)	11,150 (72)	11,800 (74)
45		5,090 (21.5)	5,100 (35)	5,280 (48.5)	5,050 (56)	6,150 (61.5)	7,250 (66)	8,350 (69)	9,430 (72)
50	See Note 16		3,300 (24.5)	3,070 (42.5)	3,010 (52)	4,080 (58.5)	5,140 (63)	6,210 (66.5)	7,270 (69.5)
60						1,130 (51)	2,140 (57)	3,160 (61.5)	4,170 (65)
70								1,090 (56)	2,060 (60)
0.1A (lbs.)	1,250	1,340	1,310	1,330	1,350	1,230	1,140	1,070	1,020
Minimum boom angle (deg.) for indicated length (no load)				35	44	50	53	55	57
Maximum boom length (ft.) at 0 degree boom angle (no load)				61					

NOTE: () Boom angles are in degrees.

#LMI operating code. Refer to LMI manual for instructions.

*This capacity is based on maximum boom angle.

Lifting Capacities On Outriggers 50% Extended - 360° At Zero Degree Boom Angle									
Boom Angle	Main Boom Length in Feet								
	35	55	61						
0°	22,450 (28.2)	4,120 (47.4)	2,220 (53.8)						

NOTE: () Reference radii in feet.

A6-829-014534

Ext. %									
Inner-mid	0	50	50	75	100	100	100	100	100
Center-mid	0	25	50	75	100	100	100	100	100
Outer-mid	0	0	0	0	0	25	50	75	100
Fly	0	0	0	0	0	25	50	75	100



**31 FT. - 56 FT. FOLDING BOOM EXTENSION
WITH 5,500 lb COUNTERWEIGHT USING 125 FT. MAIN BOOM**

ON OUTRIGGERS 50% EXTENDED - 360°

Radius in Feet	31 FT. LENGTH			56 FT. LENGTH		
	#4121	#4122	#4123	#4141	#4142	#4143
	1.5° OFFSET	25° OFFSET	45° OFFSET	1.5° OFFSET	25° OFFSET	45° OFFSET
30	*11,500 (80)					
35	11,500 (78.5)					
40	11,500 (77)	*10,000 (80)		6,950 (79.5)		
45	9,370 (75)	9,300 (78.5)	*8,000 (80)	6,780 (78.5)		
50	7,520 (73.5)	8,790 (76.5)	6,810 (78.5)	6,620 (77)		
60	4,740 (70)	6,130 (72.5)	6,490 (74.5)	5,420 (74)	*4,900 (80)	
70	2,610 (66)	3,870 (68.5)	4,600 (70.5)	3,440 (71)	4,560 (76.5)	*3,700 (80)
80	1,010 (62)	1,990 (64.5)	2,720 (66)	1,950 (67.5)	3,670 (73)	3,520 (76.5)
90			1,120 (61.5)		2,230 (69.5)	3,210 (72.5)
100					1,070 (65.5)	1,860 (68.5)
0.1A (lbs.)	990	940	900	910	870	810
No Load Stability Data						
Minimum boom angle (deg.) for indicated length	61	61	61	65	65	67
Maximum boom length (ft.) at 0 deg. boom angle	35			35		

NOTE: () Boom angles are in degrees.

A6-829-014552

#LMI operating code. Refer to LMI manual for operating instructions.

*This capacity is based on maximum boom angle.

1. All capacities above the bold line are based on structural strength of boom extension. Capacities correspond to SAE J1289 (Test Load = 1.25P + 0.1A). 0.1A represents one-tenth (0.10) of the total boom weight reduced to the boom point.
2. 31 ft. and 56 ft. folding boom extension lengths may be used for single line lifting service only.
3. For main boom lengths less than 125 ft. with the boom extension erected, the rated loads are determined by boom angle. Use only the column which corresponds to the boom extension length and offset for which the machine is set up. For boom angles not shown, use rating of the next lower boom angle.
4. **WARNING:** Operation of this machine with heavier loads than the capacities listed is strictly prohibited. Machine tipping with boom extension occurs rapidly and without advance warning.
5. Boom angle is the angle above or below horizontal of the longitudinal axis of the boom base section after lifting rated load.
6. Capacities listed are with outriggers properly extended and vertical jacks set only.



**31 FT. - 56 FT. FOLDING BOOM EXTENSION
WITH 5,500 lb COUNTERWEIGHT USING 138 FT. MAIN BOOM**

ON OUTRIGGERS 50% EXTENDED - 360°

Radius in Feet	31 FT. LENGTH			56 FT. LENGTH		
	#4121	#4122	#4123	#4141	#4142	#4143
	1.5° OFFSET	25° OFFSET	45° OFFSET	1.5° OFFSET	25° OFFSET	45° OFFSET
35	9,500 (79.5)					
40	9,500 (78)			*5,500 (80)		
45	9,460 (76.5)	*8,750 (80)		5,400 (79.5)		
50	7,650 (75)	7,490 (78.5)	*7,800 (80)	5,300 (78)		
60	4,920 (71.5)	6,280 (75)	6,740 (77)	5,100 (75.5)	*4,640 (80)	
70	2,960 (68.5)	4,070 (71.5)	4,800 (73.5)	3,510 (72.5)	4,430 (78)	*3,600 (80)
80	1,430 (64.5)	2,360 (68)	2,970 (69.5)	2,040 (69.5)	3,740 (74.5)	3,500 (77.5)
90			1,510 (65.5)		2,340 (71)	3,330 (74)
100					1,200 (67.5)	2,010 (70.5)
0.1A (lbs.)	960	920	880	900	860	810
No Load Stability Data						
Minimum boom angle (deg.) for indicated length	63	65	65	67	67	68
Maximum boom length (ft.) at 0 deg. boom angle	35			35		

NOTE: () Boom angles are in degrees.

A6-829-014553A

#LMI operating code. Refer to LMI manual for operating instructions.

*This capacity is based on maximum boom angle.

1. All capacities above the bold line are based on structural strength of boom extension. Capacities correspond to SAE J1289 (Test Load = 1.25P + 0.1A). 0.1A represents one-tenth (0.10) of the total boom weight reduced to the boom point.
2. 31 ft. and 56 ft. folding boom extension lengths may be used for single line lifting service only.
3. For main boom lengths between 125 ft. and fully extended with the boom extension erected, the rated loads are determined by boom angle. Use only the column which corresponds to the boom extension length and offset for which the machine is set up. For boom angles not shown, use rating of the next lower boom angle.
4. **WARNING:** Operation of this machine with heavier loads than the capacities listed is strictly prohibited. Machine tipping with boom extension occurs rapidly and without advance warning.
5. Boom angle is the angle above or below horizontal of the longitudinal axis of the boom base section after lifting rated load.
6. Capacities listed are with outriggers properly extended and vertical jacks set only.



**RATED LIFTING CAPACITIES IN POUNDS WITH 5,500 lb COUNTERWEIGHT
35 FT. - 138 FT. BOOM (MODE B)**

ON OUTRIGGERS 0% EXTENDED - 360°

Radius in Feet	#8101								
	Main Boom Length in Feet								
	35	55	61	74	87	99	112	125	138
10	50,800 (65.5)	42,000 (76)	40,600 (77.5)	*36,650 (80)					
12	38,950 (62)	32,600 (73.5)	31,750 (75.5)	28,800 (78.5)	*26,350 (80)				
15	27,550 (56)	23,300 (70)	22,900 (72.5)	20,850 (76)	19,100 (78.5)	*19,500 (80)			
20	16,100 (44.5)	14,100 (64.5)	14,050 (67.5)	12,700 (71.5)	11,600 (75)	12,350 (77.5)	12,800 (79.5)	*13,050 (80)	
25	9,550 (29.5)	8,530 (58)	8,720 (62)	7,740 (67.5)	6,930 (71.5)	7,890 (74.5)	8,520 (77)	8,940 (79)	*9,210 (80)
30		4,820 (51)	5,080 (56.5)	4,370 (63)	3,740 (68)	4,800 (71.5)	5,530 (74.5)	6,050 (76.5)	6,420 (78.5)
35		2,180 (43.5)	2,330 (50)	1,880 (58.5)	1,430 (64)	2,540 (68.5)	3,340 (71.5)	3,920 (74)	4,350 (76.5)
40	See Note 16						1,660 (69)	2,280 (72)	2,750 (74)
45									1,470 (72)
0.1A (lbs.)	1,250	1,340	1,310	1,330	1,350	1,230	1,140	1,070	1,020
Minimum boom angle (deg.) for indicated length (no load)		37	47	56	62	66	68	70	71
Maximum boom length (ft.) at 0 degree boom angle (no load)	35								

NOTE: () Boom angles are in degrees.

#LMI operating code. Refer to LMI manual for instructions.

*This capacity is based on maximum boom angle.

Lifting Capacities On Outriggers 0% Extended - 360° At Zero Degree Boom Angle									
Boom Angle	Main Boom Length in Feet								
	35								
0°	6,760 (28.2)								

NOTE: () Reference radii in feet.

A6-829-014535

Ext. %									
Inner-mid	0	50	50	75	100	100	100	100	100
Center-mid	0	25	50	75	100	100	100	100	100
Outer-mid	0	0	0	0	0	25	50	75	100
Fly	0	0	0	0	0	25	50	75	100



**RATED LIFTING CAPACITIES IN POUNDS WITH 3,000 lb COUNTERWEIGHT
35 FT. - 138 FT. BOOM (MODE B)**

ON OUTRIGGERS FULLY EXTENDED - 360°

Radius in Feet	#0201								
	Main Boom Length in Feet								
	35	55	61	74	87	99	112	125	138
10	+140,000 (65.5)	79,100 (76)	78,450 (77.5)	*57,050 (80)					
12	110,000 (62)	79,100 (73.5)	77,500 (75.5)	57,050 (78.5)	*43,300 (80)				
15	95,350 (56)	79,100 (70)	69,850 (72.5)	51,650 (76)	43,300 (78.5)	*32,100 (80)			
20	66,750 (44.5)	66,400 (64.5)	59,850 (67.5)	44,350 (71.5)	39,550 (75)	32,100 (77.5)	30,050 (79.5)	*20,150 (80)	
25	50,050 (29.5)	49,750 (58)	50,150 (62)	38,750 (67.5)	33,800 (71.5)	32,100 (74.5)	30,050 (77)	20,150 (79)	*19,000 (80)
30		37,300 (51)	37,200 (56.5)	34,200 (63)	29,200 (68)	30,200 (71.5)	27,350 (74.5)	19,100 (76.5)	18,300 (78.5)
35		27,600 (43.5)	27,250 (50)	27,500 (58.5)	25,800 (64)	26,600 (68.5)	24,300 (71.5)	18,100 (74)	17,650 (76.5)
40		20,900 (34.5)	20,650 (43)	21,250 (53.5)	21,000 (60)	22,300 (65)	21,600 (69)	17,250 (72)	17,000 (74)
45		16,050 (21.5)	16,050 (35)	16,300 (48.5)	16,000 (56)	17,250 (61.5)	18,450 (66)	16,450 (69)	16,350 (72)
50	See Note 16		12,650 (24.5)	12,400 (42.5)	12,350 (52)	13,500 (58.5)	14,700 (63)	15,750 (66.5)	15,700 (69.5)
60				7,110 (28)	7,340 (42.5)	8,420 (51)	9,510 (57)	10,600 (61.5)	11,700 (65)
70					4,050 (30)	5,070 (42.5)	6,110 (50)	7,160 (56)	8,220 (60)
80						2,700 (32)	3,700 (42.5)	4,720 (49.5)	5,740 (55)
90							1,920 (33.5)	2,900 (43)	3,900 (49.5)
100								1,500 (35)	2,470 (43)
110									1,340 (36)
Minimum boom angle (deg.) for indicated length (no load)						20	27	32	35
Maximum boom length (ft.) at 0 degree boom angle (no load)						87			

NOTE: () Boom angles are in degrees.

#LMI operating code. Refer to LMI manual for instructions.

*This capacity is based on maximum boom angle.

+ 12 parts line required to lift this capacity (using aux. boom nose). Refer to Operator's and Safety Handbook for reeving diagram.

Lifting Capacities On Outriggers Fully Extended - 360° At Zero Degree Boom Angle									
Boom Angle	Main Boom Length in Feet								
	35	55	61	74	87				
0°	26,400 (28.2)	12,500 (47.4)	10,150 (53.8)	4,680 (66.6)	1,860 (79.4)				

NOTE: () Reference radii in feet.

A6-829-014536A

Ext. %									
Inner-mid	0	50	50	75	100	100	100	100	100
Center-mid	0	25	50	75	100	100	100	100	100
Outer-mid	0	0	0	0	0	25	50	75	100
Fly	0	0	0	0	0	25	50	75	100



**31 FT. - 56 FT. FOLDING BOOM EXTENSION
WITH 3,000 lb COUNTERWEIGHT USING 125 FT. MAIN BOOM**

ON OUTRIGGERS FULLY EXTENDED - 360°

Radius in Feet	31 FT. LENGTH			56 FT. LENGTH		
	#0221	#0222	#0223	#0241	#0242	#0243
	1.5° OFFSET	25° OFFSET	45° OFFSET	1.5° OFFSET	25° OFFSET	45° OFFSET
30	*11,500 (80)					
35	11,500 (78.5)					
40	11,500 (77)	*10,000 (80)		6,950 (79.5)		
45	11,500 (75)	9,300 (78.5)	*8,000 (80)	6,780 (78.5)		
50	11,000 (73.5)	8,790 (76.5)	6,810 (78.5)	6,620 (77)		
60	10,050 (70)	7,960 (72.5)	6,490 (74.5)	6,290 (74)	*4,900 (80)	
70	8,790 (66)	7,360 (68.5)	6,400 (70.5)	5,960 (71)	4,560 (76.5)	*3,700 (80)
80	6,230 (62)	6,900 (64.5)	6,350 (66)	5,640 (67.5)	4,230 (73)	3,520 (76.5)
90	4,320 (57.5)	5,070 (60)	5,720 (61.5)	5,260 (64.5)	3,870 (69.5)	3,400 (72.5)
100	2,840 (53)	3,360 (55)	3,810 (56.5)	4,230 (60.5)	3,700 (65.5)	3,290 (68.5)
110	1,670 (47.5)	2,000 (50)	2,290 (51)	2,890 (56.5)	3,480 (61.5)	3,190 (64)
120				1,800 (52)	2,450 (57.5)	3,000 (59.5)
130					1,410 (52.5)	1,860 (54)
No Load Stability Data						
Minimum boom angle (deg.) for indicated length	43	44	50	49	50	51
Maximum boom length (ft.) at 0 deg. boom angle	74			61		

NOTE: () Boom angles are in degrees.

A6-829-014546

#LMI operating code. Refer to LMI manual for operating instructions.

* This capacity is based on maximum boom angle.

- All capacities above the bold line are based on structural strength of boom extension and do not exceed 85% of tipping loads, in accordance with SAE J-765.
- 31 ft. and 56 ft. folding boom extension lengths may be used for single line lifting service only.
- For main boom lengths less than 125 ft. with the boom extension erected, the rated loads are determined by boom angle. Use only the column which corresponds to the boom extension length and offset for which the machine is set up. For boom angles not shown, use rating of the next lower boom angle.
- WARNING:** Operation of this machine with heavier loads than the capacities listed is strictly prohibited. Machine tipping with boom extension occurs rapidly and without advance warning.
- Boom angle is the angle above or below horizontal of the longitudinal axis of the boom base section after lifting rated load.
- Capacities listed are with outriggers properly extended and vertical jacks set only.



**31 FT. - 56 FT. FOLDING BOOM EXTENSION
WITH 3,000 lb COUNTERWEIGHT USING 138 FT. MAIN BOOM**

ON OUTRIGGERS FULLY EXTENDED - 360°

Radius in Feet	31 FT. LENGTH			56 FT. LENGTH		
	#0221	#0222	#0223	#0241	#0242	#0243
	1.5° OFFSET	25° OFFSET	45° OFFSET	1.5° OFFSET	25° OFFSET	45° OFFSET
35	9,500 (79.5)					
40	9,500 (78)			*5,500 (80)		
45	9,500 (76.5)	*8,750 (80)		5,400 (79.5)		
50	9,500 (75)	7,490 (78.5)	*7,800 (80)	5,300 (78)		
60	9,110 (71.5)	7,060 (75)	6,740 (77)	5,100 (75.5)	*4,640 (80)	
70	8,450 (68.5)	6,720 (71.5)	6,460 (73.5)	4,900 (72.5)	4,430 (78)	*3,600 (80)
80	6,680 (64.5)	6,330 (68)	6,350 (69.5)	4,700 (69.5)	4,220 (74.5)	3,500 (77.5)
90	4,730 (60.5)	5,490 (64)	6,140 (65.5)	4,500 (66.5)	4,120 (71)	3,400 (74)
100	3,230 (56.5)	3,790 (60)	4,280 (61)	4,300 (63.5)	3,810 (67.5)	3,300 (70.5)
110	2,030 (52)	2,450 (55.5)	2,800 (56.5)	3,130 (59.5)	3,600 (64)	3,200 (67)
120	1,060 (47)	1,350 (50.5)	1,600 (52)	2,060 (56)	2,770 (60.5)	3,100 (63)
130				1,170 (52)	1,670 (56)	2,100 (58.5)
140						1,020 (53.5)
No Load Stability Data						
Minimum boom angle (deg.) for indicated length	47	47	48	52	53	54
Maximum boom length (ft.) at 0 deg. boom angle	74			61		

NOTE: () Boom angles are in degrees.

#LMI operating code. Refer to LMI manual for operating instructions.

* This capacity is based on maximum boom angle.

A6-829-014547A

- All capacities above the bold line are based on structural strength of boom extension and do not exceed 85% of tipping loads, in accordance with SAE J-765.
- 31 ft. and 56 ft. folding boom extension lengths may be used for single line lifting service only.
- For main boom lengths between 125 ft. and fully extended with the boom extension erected, the rated loads are determined by boom angle. Use only the column which corresponds to the boom extension length and offset for which the machine is set up. For boom angles not shown, use rating of the next lower boom angle.
- WARNING:** Operation of this machine with heavier loads than the capacities listed is strictly prohibited. Machine tipping with boom extension occurs rapidly and without advance warning.
- Boom angle is the angle above or below horizontal of the longitudinal axis of the boom base section after lifting rated load.
- Capacities listed are with outriggers properly extended and vertical jacks set only.



RATED LIFTING CAPACITIES IN POUNDS WITH 3,000 lb COUNTERWEIGHT 35 FT. - 138 FT. BOOM (MODE B)

ON OUTRIGGERS 50% EXTENDED - 360°

Radius in Feet	#4201								
	Main Boom Length in Feet								
	35	55	61	74	87	99	112	125	138
10	88,400 (65.5)	79,100 (76)	78,450 (77.5)	*57,050 (80)					
12	76,700 (62)	76,350 (73.5)	76,600 (75.5)	57,050 (78.5)	*43,300 (80)				
15	65,000 (56)	60,400 (70)	58,650 (72.5)	51,650 (76)	43,300 (78.5)	*32,100 (80)			
20	41,950 (44.5)	35,450 (64.5)	32,800 (67.5)	33,850 (71.5)	31,650 (75)	31,800 (77.5)	30,050 (79.5)	*20,150 (80)	
25	26,400 (29.5)	21,850 (58)	20,400 (62)	23,100 (67.5)	21,650 (71.5)	22,350 (74.5)	22,650 (77)	20,150 (79)	*19,000 (80)
30		14,400 (51)	13,550 (56.5)	16,000 (63)	14,800 (68)	16,100 (71.5)	16,800 (74.5)	17,100 (76.5)	17,300 (78.5)
35		9,670 (43.5)	9,210 (50)	10,600 (58.5)	9,870 (64)	11,050 (68.5)	12,250 (71.5)	13,150 (74)	13,450 (76.5)
40		6,400 (34.5)	6,210 (43)	6,920 (53.5)	6,460 (60)	7,610 (65)	8,750 (69)	9,890 (72)	10,550 (74)
45		4,010 (21.5)	4,020 (35)	4,190 (48.5)	3,960 (56)	5,060 (61.5)	6,160 (66)	7,260 (69)	8,320 (72)
50	See Note 16		2,350 (24.5)	2,110 (42.5)	2,050 (52)	3,120 (58.5)	4,190 (63)	5,250 (66.5)	6,310 (69.5)
60							1,370 (57)	2,380 (61.5)	3,390 (65)
70									1,410 (60)
0.1A (lbs.)	1,250	1,340	1,310	1,330	1,350	1,230	1,140	1,070	1,020
Minimum boom angle (deg.) for indicated length (no load)				39	47	52	55	57	59
Maximum boom length (ft.) at 0 degree boom angle (no load)				61					

NOTE: () Boom angles are in degrees.

#LMI operating code. Refer to LMI manual for instructions.

*This capacity is based on maximum boom angle.

Lifting Capacities On Outriggers 50% Extended - 360° At Zero Degree Boom Angle									
Boom Angle	Main Boom Length in Feet								
	35	55	61						
0°	20,450 (28.2)	3,100 (47.4)	1,340 (53.8)						

NOTE: () Reference radii in feet.

A6-829-014537

Ext. %									
Inner-mid	0	50	50	75	100	100	100	100	100
Center-mid	0	25	50	75	100	100	100	100	100
Outer-mid	0	0	0	0	0	25	50	75	100
Fly	0	0	0	0	0	25	50	75	100



**31 FT. - 56 FT. FOLDING BOOM EXTENSION
WITH 3,000 lb COUNTERWEIGHT USING 125 FT. MAIN BOOM**

ON OUTRIGGERS 50% EXTENDED - 360°

Radius in Feet	31 FT. LENGTH			56 FT. LENGTH		
	#4221	#4222	#4223	#4241	#4242	#4243
	1.5° OFFSET	25° OFFSET	45° OFFSET	1.5° OFFSET	25° OFFSET	45° OFFSET
30	*11,500 (80)					
35	11,500 (78.5)					
40	10,450 (77)	*10,000 (80)		6,950 (79.5)		
45	8,280 (75)	9,300 (78.5)	*8,000 (80)	6,780 (78.5)		
50	6,540 (73.5)	8,280 (76.5)	6,810 (78.5)	6,620 (77)		
60	3,920 (70)	5,310 (72.5)	6,240 (74.5)	4,610 (74)	*4,900 (80)	
70	1,960 (66)	3,160 (68.5)	3,880 (70.5)	2,750 (71)	4,560 (76.5)	*3,700 (80)
80		1,430 (64.5)	2,100 (66)	1,340 (67.5)	3,060 (73)	3,520 (76.5)
90					1,690 (69.5)	2,660 (72.5)
100						1,370 (68.5)
0.1A (lbs.)	990	940	900	910	870	810
No Load Stability Data						
Minimum boom angle (deg.) for indicated length	63	63	64	66	67	68
Maximum boom length (ft.) at 0 deg. boom angle	35			35		

NOTE: () Boom angles are in degrees.

A6-829-014554

#LMI operating code. Refer to LMI manual for operating instructions.

*This capacity is based on maximum boom angle.

1. All capacities above the bold line are based on structural strength of boom extension. Capacities correspond to SAE J1289 (Test Load = 1.25P + 0.1A). 0.1A represents one-tenth (0.10) of the total boom weight reduced to the boom point.
2. 31 ft. and 56 ft. folding boom extension lengths may be used for single line lifting service only.
3. For main boom lengths less than 125 ft. with the boom extension erected, the rated loads are determined by boom angle. Use only the column which corresponds to the boom extension length and offset for which the machine is set up. For boom angles not shown, use rating of the next lower boom angle.
4. **WARNING:** Operation of this machine with heavier loads than the capacities listed is strictly prohibited. Machine tipping with boom extension occurs rapidly and without advance warning.
5. Boom angle is the angle above or below horizontal of the longitudinal axis of the boom base section after lifting rated load.
6. Capacities listed are with outriggers properly extended and vertical jacks set only.



31 FT. - 56 FT. FOLDING BOOM EXTENSION
WITH 3,000 lb COUNTERWEIGHT USING 138 FT. MAIN BOOM

ON OUTRIGGERS 50% EXTENDED - 360°

Radius in Feet	31 FT. LENGTH			56 FT. LENGTH		
	#4221	#4222	#4223	#4241	#4242	#4243
	1.5° OFFSET	25° OFFSET	45° OFFSET	1.5° OFFSET	25° OFFSET	45° OFFSET
35	9,500 (79.5)					
40	9,500 (78)			*5,500 (80)		
45	8,390 (76.5)	*8,750 (80)		5,400 (79.5)		
50	6,690 (75)	7,490 (78.5)	*7,800 (80)	5,300 (78)		
60	4,110 (71.5)	5,470 (75)	6,390 (77)	4,660 (75.5)	*4,640 (80)	
70	2,260 (68.5)	3,370 (71.5)	4,090 (73.5)	2,830 (72.5)	4,430 (78)	*3,600 (80)
80		1,780 (68)	2,350 (69.5)	1,440 (69.5)	3,140 (74.5)	3,500 (77.5)
90					1,800 (71)	2,780 (74)
100						1,520 (70.5)
0.1A (lbs.)	960	920	880	900	860	810
No Load Stability Data						
Minimum boom angle (deg.) for indicated length	65	66	67	68	69	70
Maximum boom length (ft.) at 0 deg. boom angle	35			35		

NOTE: () Boom angles are in degrees.

A6-829-014555

#LMI operating code. Refer to LMI manual for operating instructions.

*This capacity is based on maximum boom angle.

1. All capacities above the bold line are based on structural strength of boom extension. Capacities correspond to SAE J1289 (Test Load = 1.25P + 0.1A). 0.1A represents one-tenth (0.10) of the total boom weight reduced to the boom point.
2. 31 ft. and 56 ft. folding boom extension lengths may be used for single line lifting service only.
3. For main boom lengths between 125 ft. and fully extended with the boom extension erected, the rated loads are determined by boom angle. Use only the column which corresponds to the boom extension length and offset for which the machine is set up. For boom angles not shown, use rating of the next lower boom angle.
4. **WARNING:** Operation of this machine with heavier loads than the capacities listed is strictly prohibited. Machine tipping with boom extension occurs rapidly and without advance warning.
5. Boom angle is the angle above or below horizontal of the longitudinal axis of the boom base section after lifting rated load.
6. Capacities listed are with outriggers properly extended and vertical jacks set only.



**RATED LIFTING CAPACITIES IN POUNDS WITH 3,000 lb COUNTERWEIGHT
35 FT. - 138 FT. BOOM (MODE B)**

ON OUTRIGGERS 0% EXTENDED - 360°

Radius in Feet	#8201								
	Main Boom Length in Feet								
	35	55	61	74	87	99	112	125	138
10	46,100 (65.5)	37,800 (76)	36,600 (77.5)	*32,850 (80)					
12	35,150 (62)	29,100 (73.5)	28,400 (75.5)	25,650 (78.5)	*23,350 (80)				
15	24,550 (56)	20,550 (70)	20,200 (72.5)	18,250 (76)	16,650 (78.5)	*17,150 (80)			
20	14,100 (44.5)	12,050 (64.5)	12,050 (67.5)	10,750 (71.5)	9,720 (75)	10,550 (77.5)	11,050 (79.5)	*11,350 (80)	
25	8,020 (29.5)	6,890 (58)	7,100 (62)	6,170 (67.5)	5,400 (71.5)	6,400 (74.5)	7,070 (77)	7,530 (79)	*7,830 (80)
30		3,450 (51)	3,730 (56.5)	3,050 (63)	2,450 (68)	3,540 (71.5)	4,300 (74.5)	4,850 (76.5)	5,240 (78.5)
35		1,000 (43.5)	1,290 (50)			1,460 (68.5)	2,270 (71.5)	2,870 (74)	3,320 (76.5)
40	See Note 16							1,350 (72)	1,840 (74)
0.1A (lbs.)	1,250	1,340	1,310	1,330	1,350	1,230	1,140	1,070	1,020
Minimum boom angle (deg.) for indicated length (no load)		43	49	59	65	68	70	71	73
Maximum boom length (ft.) at 0 degree boom angle (no load)	35								

NOTE: () Boom angles are in degrees.

#LMI operating code. Refer to LMI manual for instructions.

*This capacity is based on maximum boom angle.

Lifting Capacities On Outriggers 0% Extended - 360° At Zero Degree Boom Angle									
Boom Angle	Main Boom Length in Feet								
	35								
0°	5,430 (28.2)								

NOTE: () Reference radii in feet.

A6-829-014538

Ext. %									
Inner-mid	0	50	50	75	100	100	100	100	100
Center-mid	0	25	50	75	100	100	100	100	100
Outer-mid	0	0	0	0	0	25	50	75	100
Fly	0	0	0	0	0	25	50	75	100



RATED LIFTING CAPACITIES IN POUNDS WITHOUT COUNTERWEIGHT 35 FT. - 138 FT. BOOM (MODE B)

ON OUTRIGGERS FULLY EXTENDED - 360°

Radius in Feet	#0801								
	Main Boom Length in Feet								
	35	55	61	74	87	99	112	125	138
10	+139,500 (65.5)	79,100 (76)	78,450 (77.5)	*57,050 (80)					
12	110,000 (62)	79,100 (73.5)	77,500 (75.5)	57,050 (78.5)	*43,300 (80)				
15	92,450 (56)	79,100 (70)	69,850 (72.5)	51,650 (76)	43,300 (78.5)	*32,100 (80)			
20	64,600 (44.5)	64,250 (64.5)	59,850 (67.5)	44,350 (71.5)	39,550 (75)	32,100 (77.5)	30,050 (79.5)	*20,150 (80)	
25	48,350 (29.5)	48,050 (58)	48,450 (62)	38,750 (67.5)	33,800 (71.5)	32,100 (74.5)	30,050 (77)	20,150 (79)	*19,000 (80)
30		34,400 (51)	34,050 (56.5)	34,050 (63)	29,200 (68)	30,200 (71.5)	27,350 (74.5)	19,100 (76.5)	18,300 (78.5)
35		25,150 (43.5)	24,500 (50)	25,200 (58.5)	25,250 (64)	26,600 (68.5)	24,300 (71.5)	18,100 (74)	17,650 (76.5)
40		18,650 (34.5)	18,400 (43)	19,300 (53.5)	18,750 (60)	20,050 (65)	21,350 (69)	17,250 (72)	17,000 (74)
45		14,150 (21.5)	14,150 (35)	14,400 (48.5)	14,100 (56)	15,350 (61.5)	16,550 (66)	16,450 (69)	16,350 (72)
50	See Note 16		11,050 (24.5)	10,750 (42.5)	10,700 (52)	11,850 (58.5)	13,050 (63)	14,250 (66.5)	15,450 (69.5)
60				5,810 (28)	6,040 (42.5)	7,110 (51)	8,210 (57)	9,310 (61.5)	10,400 (65)
70					2,970 (30)	3,990 (42.5)	5,030 (50)	6,080 (56)	7,140 (60)
80						1,780 (32)	2,780 (42.5)	3,800 (49.5)	4,820 (55)
90							1,120 (33.5)	2,100 (43)	3,100 (49.5)
100									1,760 (43)
Minimum boom angle (deg.) for indicated length (no load)					20	25	33	37	40
Maximum boom length (ft.) at 0 degree boom angle (no load)					74				

NOTE: () Boom angles are in degrees.

#LMI operating code. Refer to LMI manual for instructions.

*This capacity is based on maximum boom angle.

+12 parts line required to lift this capacity (using aux. boom nose). Refer to Operator's and Safety Handbook for reeving diagram.

Lifting Capacities On Outriggers Fully Extended - 360° At Zero Degree Boom Angle									
Boom Angle	Main Boom Length in Feet								
	35	55	61	74					
0°	26,400 (28.2)	12,500 (47.4)	9,190 (53.8)	3,540 (66.6)					

NOTE: () Reference radii in feet.

A6-829-014539A

Ext. %									
Inner-mid	0	50	50	75	100	100	100	100	100
Center-mid	0	25	50	75	100	100	100	100	100
Outer-mid	0	0	0	0	0	25	50	75	100
Fly	0	0	0	0	0	25	50	75	100



**31 FT. - 56 FT. FOLDING BOOM EXTENSION
WITHOUT COUNTERWEIGHT USING 125 FT. MAIN BOOM**

ON OUTRIGGERS FULLY EXTENDED - 360°

Radius in Feet	31 FT. LENGTH			56 FT. LENGTH		
	#0821	#0822	#0823	#0841	#0842	#0843
	1.5° OFFSET	25° OFFSET	45° OFFSET	1.5° OFFSET	25° OFFSET	45° OFFSET
30	*11,500 (80)					
35	11,500 (78.5)					
40	11,500 (77)	*10,000 (80)		6,950 (79.5)		
45	11,500 (75)	9,300 (78.5)	*8,000 (80)	6,780 (78.5)		
50	11,000 (73.5)	8,790 (76.5)	6,810 (78.5)	6,620 (77)		
60	10,050 (70)	7,960 (72.5)	6,490 (74.5)	6,290 (74)	*4,900 (80)	
70	7,720 (66)	7,360 (68.5)	6,400 (70.5)	5,960 (71)	4,560 (76.5)	*3,700 (80)
80	5,310 (62)	6,370 (64.5)	6,350 (66)	5,640 (67.5)	4,230 (73)	3,520 (76.5)
90	3,520 (57.5)	4,270 (60)	4,920 (61.5)	5,110 (64.5)	3,870 (69.5)	3,400 (72.5)
100	2,130 (53)	2,650 (55)	3,100 (56.5)	3,520 (60.5)	3,700 (65.5)	3,290 (68.5)
110	1,030 (47.5)	1,370 (50)	1,650 (51)	2,250 (56.5)	3,060 (61.5)	3,190 (64)
120				1,220 (52)	1,870 (57.5)	2,420 (59.5)
130						1,330 (54)
No Load Stability Data						
Minimum boom angle (deg.) for indicated length	46	47	53	51	52	53
Maximum boom length (ft.) at 0 deg. boom angle	74			61		

NOTE: () Boom angles are in degrees.

A6-829-014548

#LMI operating code. Refer to LMI manual for operating instructions.

*This capacity is based on maximum boom angle.

- All capacities above the bold line are based on structural strength of boom extension and do not exceed 85% of tipping loads, in accordance with SAE J-765.
- 31 ft. and 56 ft. folding boom extension lengths may be used for single line lifting service only.
- For main boom lengths less than 125 ft. with the boom extension erected, the rated loads are determined by boom angle. Use only the column which corresponds to the boom extension length and offset for which the machine is set up. For boom angles not shown, use rating of the next lower boom angle.
- WARNING:** Operation of this machine with heavier loads than the capacities listed is strictly prohibited. Machine tipping with boom extension occurs rapidly and without advance warning.
- Boom angle is the angle above or below horizontal of the longitudinal axis of the boom base section after lifting rated load.
- Capacities listed are with outriggers properly extended and vertical jacks set only.



**31 FT. - 56 FT. FOLDING BOOM EXTENSION
WITHOUT COUNTERWEIGHT USING 138 FT. MAIN BOOM**

ON OUTRIGGERS FULLY EXTENDED - 360°

Radius in Feet	31 FT. LENGTH			56 FT. LENGTH		
	#0821	#0822	#0823	#0841	#0842	#0843
	1.5° OFFSET	25° OFFSET	45° OFFSET	1.5° OFFSET	25° OFFSET	45° OFFSET
35	9,500 (79.5)					
40	9,500 (78)			*5,500 (80)		
45	9,500 (76.5)	*8,750 (80)		5,400 (79.5)		
50	9,500 (75)	7,490 (78.5)	*7,800 (80)	5,300 (78)		
60	9,110 (71.5)	7,060 (75)	6,740 (77)	5,100 (75.5)	*4,640 (80)	
70	8,220 (68.5)	6,720 (71.5)	6,460 (73.5)	4,900 (72.5)	4,430 (78)	*3,600 (80)
80	5,760 (64.5)	6,330 (68)	6,350 (69.5)	4,700 (69.5)	4,220 (74.5)	3,500 (77.5)
90	3,930 (60.5)	4,690 (64)	5,330 (65.5)	4,500 (66.5)	4,120 (71)	3,400 (74)
100	2,520 (56.5)	3,080 (60)	3,570 (61)	3,730 (63.5)	3,810 (67.5)	3,300 (70.5)
110	1,390 (52)	1,810 (55.5)	2,160 (56.5)	2,490 (59.5)	3,450 (64)	3,200 (67)
120			1,020 (52)	1,480 (56)	2,190 (60.5)	2,790 (63)
130					1,140 (56)	1,570 (58.5)
No Load Stability Data						
Minimum boom angle (deg.) for indicated length	50	51	52	55	55	56
Maximum boom length (ft.) at 0 deg. boom angle	74			61		

NOTE: () Boom angles are in degrees.

A6-829-014549A

#LMI operating code. Refer to LMI manual for operating instructions.

*This capacity is based on maximum boom angle.

1. All capacities above the bold line are based on structural strength of boom extension and do not exceed 85% of tipping loads, in accordance with SAE J-765.
2. 31 ft. and 56 ft. folding boom extension lengths may be used for single line lifting service only.
3. For main boom lengths between 125 ft. and fully extended with the boom extension erected, the rated loads are determined by boom angle. Use only the column which corresponds to the boom extension length and offset for which the machine is set up. For boom angles not shown, use rating of the next lower boom angle.
4. **WARNING:** Operation of this machine with heavier loads than the capacities listed is strictly prohibited. Machine tipping with boom extension occurs rapidly and without advance warning.
5. Boom angle is the angle above or below horizontal of the longitudinal axis of the boom base section after lifting rated load.
6. Capacities listed are with outriggers properly extended and vertical jacks set only.



**RATED LIFTING CAPACITIES IN POUNDS WITHOUT COUNTERWEIGHT
35 FT. - 138 FT. BOOM (MODE B)**

ON OUTRIGGERS 50% EXTENDED - 360°

Radius in Feet	#4801								
	Main Boom Length in Feet								
	35	55	61	74	87	99	112	125	138
10	87,250 (65.5)	79,100 (76)	78,450 (77.5)	*57,050 (80)					
12	76,000 (62)	75,700 (73.5)	75,900 (75.5)	57,050 (78.5)	*43,300 (80)				
15	64,400 (56)	54,750 (70)	53,200 (72.5)	48,600 (76)	43,300 (78.5)	*32,100 (80)			
20	38,000 (44.5)	31,500 (64.5)	28,850 (67.5)	30,250 (71.5)	28,150 (75)	28,500 (77.5)	28,450 (79.5)	*20,150 (80)	
25	23,600 (29.5)	19,050 (58)	17,600 (62)	20,350 (67.5)	19,000 (71.5)	19,750 (74.5)	20,150 (77)	20,150 (79)	*19,000 (80)
30		12,200 (51)	11,350 (56.5)	13,850 (63)	12,600 (68)	13,900 (71.5)	14,700 (74.5)	15,100 (76.5)	15,300 (78.5)
35		7,890 (43.5)	7,430 (50)	8,860 (58.5)	8,090 (64)	9,300 (68.5)	10,500 (71.5)	11,400 (74)	11,750 (76.5)
40		4,890 (34.5)	4,710 (43)	5,410 (53.5)	4,960 (60)	6,100 (65)	7,250 (69)	8,390 (72)	9,070 (74)
45		2,710 (21.5)	2,720 (35)	2,890 (48.5)	2,660 (56)	3,760 (61.5)	4,860 (66)	5,960 (69)	6,990 (72)
50	See Note 16		1,200 (24.5)			1,980 (58.5)	3,040 (63)	4,100 (66.5)	5,160 (69.5)
60								1,460 (61.5)	2,470 (65)
0.1A (lbs.)	1,250	1,340	1,310	1,330	1,350	1,230	1,140	1,070	1,020
Minimum boom angle (deg.) for indicated length (no load)			23	43	53	56	58	60	62
Maximum boom length (ft.) at 0 degree boom angle (no load)			55						

NOTE: () Boom angles are in degrees.

#LMI operating code. Refer to LMI manual for instructions.

*This capacity is based on maximum boom angle.

Lifting Capacities On Outriggers 50% Extended - 360° At Zero Degree Boom Angle									
Boom Angle	Main Boom Length in Feet								
	35	55							
0°	18,100 (28.2)	1,880 (47.4)							

NOTE: () Reference radii in feet.

A6-829-014540

Ext. %									
Inner-mid	0	50	50	75	100	100	100	100	100
Center-mid	0	25	50	75	100	100	100	100	100
Outer-mid	0	0	0	0	0	25	50	75	100
Fly	0	0	0	0	0	25	50	75	100



**31 FT. - 56 FT. FOLDING BOOM EXTENSION
WITHOUT COUNTERWEIGHT USING 125 FT. MAIN BOOM**

ON OUTRIGGERS 50% EXTENDED - 360°

Radius in Feet	31 FT. LENGTH			56 FT. LENGTH		
	#4821	#4822	#4823	#4841	#4842	#4843
	1.5° OFFSET	25° OFFSET	45° OFFSET	1.5° OFFSET	25° OFFSET	45° OFFSET
30	*11,500 (80)					
35	11,500 (78.5)					
40	8,990 (77)	*10,000 (80)		6,950 (79.5)		
45	6,980 (75)	8,950 (78.5)	*8,000 (80)	6,780 (78.5)		
50	5,370 (73.5)	7,100 (76.5)	6,810 (78.5)	6,050 (77)		
60	2,930 (70)	4,320 (72.5)	5,250 (74.5)	3,650 (74)	*4,900 (80)	
70	1,180 (66)	2,310 (68.5)	3,030 (70.5)	1,920 (71)	3,960 (76.5)	*3,700 (80)
80			1,350 (66)		2,320 (73)	3,520 (76.5)
90					1,030 (69.5)	2,010 (72.5)
0.1A (lbs.)	990	940	900	910	870	810
No Load Stability Data						
Minimum boom angle (deg.) for indicated length	64	65	65	68	69	70
Maximum boom length (ft.) at 0 deg. boom angle	35			35		

NOTE: () Boom angles are in degrees.

A6-829-014556

#LMI operating code. Refer to LMI manual for operating instructions.

*This capacity is based on maximum boom angle.

1. All capacities above the bold line are based on structural strength of boom extension. Capacities correspond to SAE J1289 (Test Load = 1.25P + 0.1A). 0.1A represents one-tenth (0.10) of the total boom weight reduced to the boom point.
2. 31 ft. and 56 ft. folding boom extension lengths may be used for single line lifting service only.
3. For main boom lengths less than 125 ft. with the boom extension erected, the rated loads are determined by boom angle. Use only the column which corresponds to the boom extension length and offset for which the machine is set up. For boom angles not shown, use rating of the next lower boom angle.
4. **WARNING:** Operation of this machine with heavier loads than the capacities listed is strictly prohibited. Machine tipping with boom extension occurs rapidly and without advance warning.
5. Boom angle is the angle above or below horizontal of the longitudinal axis of the boom base section after lifting rated load.
6. Capacities listed are with outriggers properly extended and vertical jacks set only.



**31 FT. - 56 FT. FOLDING BOOM EXTENSION
WITHOUT COUNTERWEIGHT USING 138 FT. MAIN BOOM**

ON OUTRIGGERS 50% EXTENDED - 360°

Radius in Feet	31 FT. LENGTH			56 FT. LENGTH		
	#4821	#4822	#4823	#4841	#4842	#4843
	1.5° OFFSET	25° OFFSET	45° OFFSET	1.5° OFFSET	25° OFFSET	45° OFFSET
35	9,500 (79.5)					
40	9,070 (78)			*5,500 (80)		
45	7,110 (76.5)	*8,750 (80)		5,400 (79.5)		
50	5,530 (75)	7,210 (78.5)	*7,800 (80)	5,300 (78)		
60	3,140 (71.5)	4,490 (75)	5,410 (77)	3,710 (75.5)	*4,640 (80)	
70	1,420 (68.5)	2,530 (71.5)	3,250 (73.5)	2,010 (72.5)	4,020 (78)	*3,600 (80)
80		1,040 (68)	1,610 (69.5)		2,410 (74.5)	3,500 (77.5)
90					1,150 (71)	2,130 (74)
0.1A (lbs.)	960	920	880	900	860	810
No Load Stability Data						
Minimum boom angle (deg.) for indicated length	66	67	68	70	70	71
Maximum boom length (ft.) at 0 deg. boom angle	35			35		

NOTE: () Boom angles are in degrees.

A6-829-014557

#LMI operating code. Refer to LMI manual for operating instructions.

*This capacity is based on maximum boom angle.

1. All capacities above the bold line are based on structural strength of boom extension. Capacities correspond to SAE J1289 (Test Load = 1.25P + 0.1A). 0.1A represents one-tenth (0.10) of the total boom weight reduced to the boom point.
2. 31 ft. and 56 ft. folding boom extension lengths may be used for single line lifting service only.
3. For main boom lengths between 125 ft. and fully extended with the boom extension erected, the rated loads are determined by boom angle. Use only the column which corresponds to the boom extension length and offset for which the machine is set up. For boom angles not shown, use rating of the next lower boom angle.
4. **WARNING:** Operation of this machine with heavier loads than the capacities listed is strictly prohibited. Machine tipping with boom extension occurs rapidly and without advance warning.
5. Boom angle is the angle above or below horizontal of the longitudinal axis of the boom base section after lifting rated load.
6. Capacities listed are with outriggers properly extended and vertical jacks set only.



**RATED LIFTING CAPACITIES IN POUNDS WITHOUT COUNTERWEIGHT
35 FT. - 138 FT. BOOM (MODE B)**

ON OUTRIGGERS 0% EXTENDED - 360°

Radius in Feet	#8801								
	Main Boom Length in Feet								
	35	55	61	74	87	99	112	125	138
10	40,450 (65.5)	32,800 (76)	31,750 (77.5)	*28,350 (80)					
12	30,550 (62)	24,950 (73.5)	24,350 (75.5)	21,850 (78.5)	*19,750 (80)				
15	20,950 (56)	17,250 (70)	17,000 (72.5)	15,200 (76)	13,750 (78.5)	*14,300 (80)			
20	11,700 (44.5)	9,610 (64.5)	9,640 (67.5)	8,430 (71.5)	7,460 (75)	8,370 (77.5)	8,950 (79.5)	*9,300 (80)	
25	6,170 (29.5)	4,910 (58)	5,160 (62)	4,290 (67.5)	3,570 (71.5)	4,620 (74.5)	5,340 (77)	5,830 (79)	*6,180 (80)
30		1,800 (51)	2,100 (56.5)	1,470 (63)		2,040 (71.5)	2,830 (74.5)	3,410 (76.5)	3,830 (78.5)
35	See Note 16							1,620 (74)	2,090 (76.5)
0.1A (lbs.)	1,250	1,340	1,310	1,330	1,350	1,230	1,140	1,070	1,020
Minimum boom angle (deg.) for indicated length (no load)		46	55	62	69	70	72	73	75
Maximum boom length (ft.) at 0 degree boom angle (no load)	35								

NOTE: () Boom angles are in degrees.

#LMI operating code. Refer to LMI manual for instructions.

*This capacity is based on maximum boom angle.

Lifting Capacities On Outriggers 0% Extended - 360° At Zero Degree Boom Angle									
Boom Angle	Main Boom Length in Feet								
	35								
0°	3,820 (28.2)								

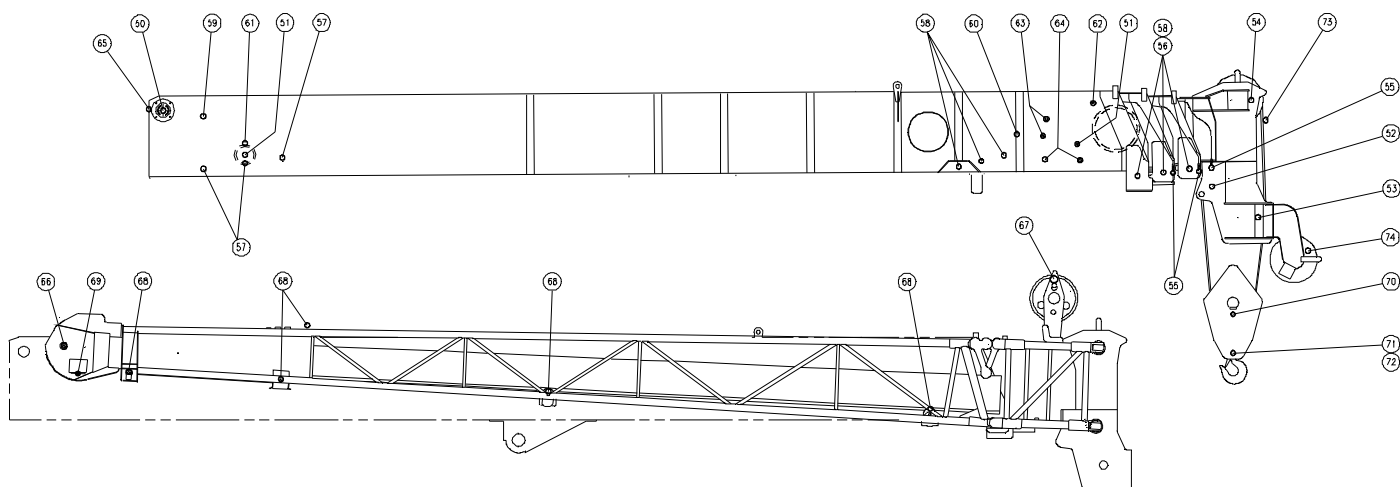
NOTE: () Reference radii in feet.

A6-829-014541

Ext. %									
Inner-mid	0	50	50	75	100	100	100	100	100
Center-mid	0	25	50	75	100	100	100	100	100
Outer-mid	0	0	0	0	0	25	50	75	100
Fly	0	0	0	0	0	25	50	75	100



LUBRICATION AND LOCATION CHART FOR BOOM



NOTES:

1. Extend boom sections for access thru holes.
2. Use grease fittings provided.
3. Extend boom sections and thoroughly brush grease on entire length of bottom rails and thoroughly coat the area the wear pad moves on.
4. Thoroughly coat areas of adjustable wear pads, bottom rails and cam plates.
5. See service manual for lube type and method of application.
6. Use fittings located at bottom front of boom sections.
7. Spread grease on tele cylinders in areas of wear pads.
8. Spread grease on inside of boom sections in areas of wear pads.
9. Spread grease on bottom rails and on top plates of boom and side plates of boom extension.
10. Inspect every six months.
11. Fully extend outriggers and apply grease to cylinder barrels with a brush.

Item #	Location Name	Lube Spec. A6-829-00	Instruction	Service Points	Service	Service Hours
BOOM						
50	Boom Pivot	3477	See Note 2	2	Lube	500 / 12 Month
51	Extend & Retract Sheaves	3477	See Note 1, 2	3	Lube	500 / 12 Month
52	Boom Extension Alignment Device	3477	See Note 2	1	Lube	500 / 12 Month
53	Lower Boom Nose Sheaves	N/A	See Note 10		Perma-Lube	500 / 6 Month
54	Upper Boom Nose Sheaves	N/A	See Note 10		Perma-Lube	500 / 6 Month
55	Boom Section Upper Wear Pads	3477	See Note 6	6	Lube	500 / 12 Month
56	Boom Section Lower Wear Pads	3477	See Note 3	6	Brush On	500 / 12 Month
57	Boom Section Side Guide Wear Pads	3477	See Note 1, 8, 9	6	Brush On	500 / 12 Month
58	Boom Section Adjustable Wear Pads	3477	See Note 4	12	Brush On	500 / 12 Month
59	Top Tele. Cylinder Upper Wear Pad	3477	See Note 1, 7	1	Brush On	500 / 12 Month
60	Top Tele. Cylinder Lower Wear Pad	3477	See Note 1, 7	1	Brush On	500 / 12 Month
61	Bottom Tele. Cylinder Side Guide Pads	3477	See Note 1, 7	2	Brush On	500 / 12 Month
62	Tele. Cylinder Structure Upper Wear Pad	3477	See Note 1, 8	1	Brush On	500 / 12 Month
63	Tele. Cylinder Structure Side Guide Pad	3477	See Note 1, 8	4	Brush On	500 / 12 Month
64	Tele. Cylinder Structure Lower Wear Pad	3477	See Note 1, 8	4	Brush On	500 / 12 Month
65	Tele. Cylinder Swivel Bearings	3477	See Note 11	2	Lube	500 / 12 Month
BOOM EXTENSION						
66	Boom Extension Nose Sheave	N/A	See Note 10		Perma-Lube	500 / 6 Month
67	Boom Extension Mast Sheave	N/A	See Note 10		Perma-Lube	500 / 6 Month
68	Tele. Boom Extension Rollers	3477	See Note 2, 9	4	Lube	500 / 12 Month
69	Boom Extension A2B Switch Swivel	3477	See Note 2	1	Lube	500 / 12 Month
MISCELLANEOUS						
70	Hookblock Sheaves	N/A	See Note 10		Perma-Lube	500 / 6 Month
71	Hookblock Swivel Bearing	3477	See Note 2	3	Lube	500 / 6 Month
72	Hook Shank & Hex Nut	3477		1	Brush On	500 / 12 Month
73	Wire Rope	See Manual	See Note 5		Check & Coat	See Service Manual
74	Auxiliary Boom Nose Sheave	N/A	See Note 10		Perma-Lube	500 / 12 Month
LUBE SPECIFICATION		DESCRIPTION				
A6-829-003477		Extreme Pressure Multipurpose Grease				
See Manual		Wire Rope Lubrication				

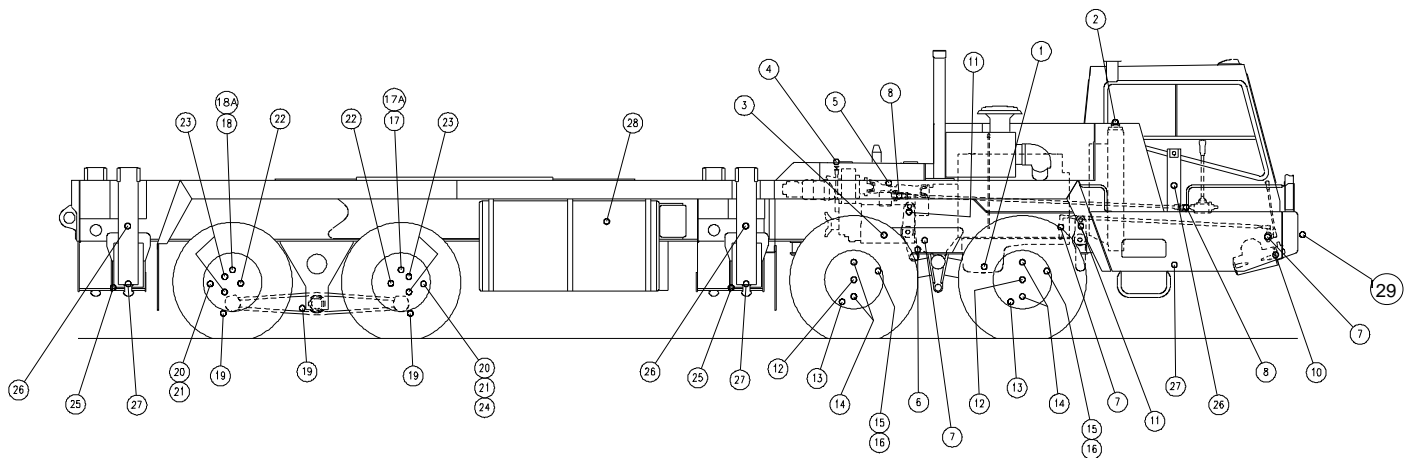


LUBRICATION CHART FOR CARRIER

Item #	Location Name	Approx. Capacity	Lube Spec. A6-829-00	Instruction	Sevr Pts.	Service	Service Hours
DRIVE TRAIN							
1	Engine Crankcase	-----	3483	See Note 2 & 22	1	Check & Fill	10/Daily
	"	9.0 GALS (34.1 L)	3483	See Note 2 & 22	1	Drain & Fill	250
2	Engine Cooling System	-----	3478	See Note 4, 9	1	Check & Fill	10/Daily
	"	10.0 GALS (37.9 L)	3478	See Note 4, 9	1	Drain & Fill	See Serv Man
3	Transmission	-----	13433	See Note 2, 10, 22	1	Check & Fill	100/Monthly
	"	20 Qts. (18.9 L)	13433	See Note 22	1	Drain & Fill	2 yrs/50000 MI
4	Pump Drive	-----	12964	See Note 2 & 22	1	Check & Fill	100/Monthly
	"	2.5 Qts. (2.4 L)	12964	See Note 2 & 22	1	Drain & Fill	500
5	Pump Drive Shaft U-Joints	-----	3477	See Note 8	2	Lube	250
	Pump Drive Shaft Spline	-----	3477	See Note 8	1	Lube	500
6	Clutch Throw - Out Bearing	-----	3477	See Note 8, 14	1	Lube	250
7	Clutch Linkage	-----	3477	See Note 8	5	Lube	500
8	Transmission Shift U-Joints	-----	3477	See Note 8	2	Lube	500
STEERING							
10	Power Steering Gear Box	-----	3477	See Note 8	1	Lube	1000
11	Steering Relay Arms	-----	3477	See Note 8	2	Lube	250
FRONT AXLES- TMS/TTS (Eaton)							
12	Front Axle Hubs	1 Qt. (.95 L) Each	12964		4	Check & Fill	250
13	Front Axle Tie Rod Ends	-----	3477	See Note 8	4	Lube	1000
14	Front Axle King Pins	-----	3477	See Note 8	8	Lube	1000
15	Front Axle Brake Slack Adjusters	-----	3477	See Note 8	8	Lube	1000
16	Front Axle Brake Camshafts	-----	3477	See Note 8	8	Lube	1000
REAR AXLES - TMS ONLY (Eaton)							
17	Front Rear Axle Bowl	42 pts. (19.8 L)	14058	See Note 3, 21,22	1	Drain & Fill	2 yrs/50000 MI
	"	-----		See Note 3, 21,22	1	Check & Fill	250
17A	Front Rear Axle Power Divider	2 Pts. (.94 L)	14058	See Note 20	1	Initial Fill Only	
18	Rear Rear Axle Bowl	39 Pts. (18.4 L)	14058	See Note 3, 21,22	1	Drain & Fill	2 yrs/50000 MI
	"			See Note 3, 21,22	1	Check & Fill	250
18A	Rear Rear Axle Differential Lock		3484	See Note 2, 19,22	1	Check & Fill	500/6 MNTH
	"	1 Pt. (.47 L)	3484	See Note 2, 19,22	1	Drain & Fill	1 yr/20000 MI
19	Equalizer Beams	-----	3477	See Note 8	6	Lube	250
20	Rear Axle Brake Slack Adjusters	-----	3477	See Note 8	8	Lube	1000
21	Rear Axle Brake Camshafts	-----	3477	See Note 8	8	Lube	1000
REAR AXLES - TTS ONLY (Kessler)							
17	Front Rear Axle Bowl	4.89 GAL (18.5 L)	12964	See Note 17	1	Drain & Fill	6200 MI
	"	4.89 GAL (18.5 L)	12964	See Note 17	1	Check & Fill	250
17A	Front Rear Axle Drop-Box	0.4 GAL (1.5 L)	12964	See Note 20	1	Initial Fill Only	
18	Rear Rear Axle Bowl	5 GAL (3.8 L)	12964	See Note 17	1	Drain & Fill	6200 MI
	"	5 GAL (3.8 L)	12964	See Note 17	1	Check & Fill	250
19	Equalizer Beams		3477	See Note 8	6		
22	Rear Wheel Hubs	0.4 GAL(1.5 L)/Hub	12964	See Note 17	4	Drain & Fill	6200 MI
	"	0.4 GAL(1.5 L)/Hub	12964	See Note 17	4	Check & Fill	250
23	Rear Axle King Pins		3477	See Note 8	8	Lube	500
24	Rear Axle Brake Mechanism			See Note 18			
25	Rear Axle Lockout Relay Arm		3477	See Note 8	1	Lube	500
25A	Rear Steer Lockout Pin		3477	See Note 23	1	Lube	500
OUTRIGGERS							
26	Outrigger Beams	-----	3477	See Note 5,22	8	Brush On	500/ 6 MNTH
27	Jack Cylinder Support Tubes	-----	3477	See Note 7,22	5	Brush On	500/ 6 MNTH
28	Cylinder Barrels	-----	3477	See Note 13,22	5	Brush On	500/ 6 MNTH
MISCELLANEOUS							
29	Carrier Hydraulic Reservoir (Tank Only)	170 GAL (643.1 L)	6444	See Note 6, 12,22	1	Check & Fill	10/Daily
30	Headache Ball Tie Down	-----	3477	See Note 8,22	1	Lube	500/ 6 MNTH
31	Water Filter (Upper Cab Heater)			24	1	Change Filter	2000/1 Yr.
LUBE SPECIFICATION				DESCRIPTION			
A6-829-003477				Extreme Pressure Multi-Purpose Grease			
A6-829-003478				Anti-freeze Coolant			
A6-829-006444				Hydraulic Oil			
A6-829-003483				Engine Oil SAE 15W40(See Note 18)			
A6-829-012964				Semi-Synthetic Gear Lube			
A6-829-013433				Synthetic Gear Lube			
A6-829-005830				Water Pump Grease			
A6-829-003484				Automatic Transmission Fluid			
A6-829-014058				Synthetic Axle Lube			



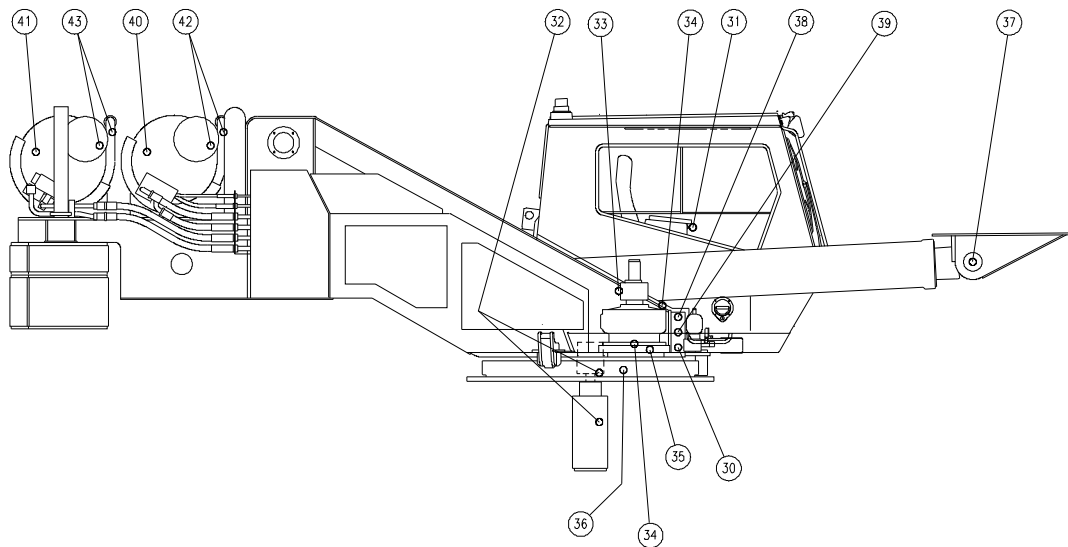
LUBRICATION LOCATION AND NOTES FOR CARRIER

**NOTES:**

1. All steering links, movable control links, clevis pins and roller type switches requiring periodic lubrication shall be lubricated during assembly.
2. Final fluid levels shall be adjusted to indicating arrows, dipstick markings, or to filler plugs.
3. Change filter when changing gear oil.
4. Capacities indicated are for a mixture of 50% AFC and 50% water.
5. Spread grease on bottom of outrigger beams.
6. Hydraulic oil shall meet or exceed ISO 16/13 cleanliness level (Ref. SAE J1165).
7. Spread grease on I.D. of jack cylinder support tubes before installing jack cylinders.
8. Use grease fittings provided.
9. Fill radiator to bottom of filler neck, run engine through (2) thermal cycles. Check level and refill as required.
10. Fill through transmission dipstick opening only.
11. Check level using filler plug located on axle bowl.
12. Check fluid level using sight gauge on side of tank with boom retracted and in boom rest and all outrigger cylinders retracted.
13. Fully extend outriggers and apply grease to cylinder barrels with a brush.
14. Engine shall be running during lubrication to ensure equal distribution of grease.
15. Air conditioner (Refer to applicable air conditioner manual).
16. See operator's manual when ambient temperatures are expected between -40°F and -80°F.
17. Drain and refill after first 600 miles.
18. See service manual for 2 year inspection and lubrication requirements.
19. Applicable only to units with cross-axle differential lock.
20. Fill point at top of differential carrier requires service at initial fill only or after rebuild. Periodic service not required.
21. Clean magnetic drain plugs when changing lubricant.
22. Service hours are by whichever interval occurs first.
23. Spread grease on pin with brush.
24. Change water filter after first 100 hours of upper cab heater use and at 2,000 hrs/1year intervals of heater use thereafter.



LUBRICATION AND LOCATION CHART FOR SUPERSTRUCTURE



Item #	Location Name	Approx. Capacity	Lube Spec. A6-829-00	Instruction	Sevr Pts.	Service Required	Service Hours
TURNTABLE							
30	T/T Bearing Manual	-----	5830	Note 7 & 8	1	Lube	500/12 Mnth
31	T/T Bearing Automatic	-----	5830	Note 7	1	Lube	100
32	Swivel	-----	5830	Note 3, 5 & 8	4	Lube	500/12 Mnth
33	Swing Brake	0.5Pts. (0.23 L)	6444	Note 1	1	Check & Fill	50
	Swing Brake	0.5 Pts. (0.23 L)	6444	Note 1	1	Drain & Fill	250
34	Swing Box	15 Qts. (14.2 L)	12964	Note 4	1	Check & Fill	50
	Swing Box (Initial Service)	15 Qts. (14.2 L)	12964	Note 4	1	Drain & Fill	250
	Swing Box	15 Qts. (14.2 L)	12964	Note 8	1	Drain & Fill	500/12 Mnth
35	Pinion Gear Bearing	-----	3477	Note 5 & 8	1	Lube	500/12 Mnth
36	Swing Gear & Pinion	-----	3477	Note 2 & 8	-----	Brush On	500/12 Mnth
LIFT CYLINDER							
37	Upper Lift Cylinder	-----	3477	Note 5 & 8	3	Lube	500/12 Mnth
38	Lower Lift Cylinder (RS)	-----	3477	Note 6 & 8	2	Lube	500/12 Mnth
39	Lower Lift Cylinder (LS)	-----					
HOIST							
40	Main Hoist	3.0 GALS (11.4 L)	12964	Note 1 & 8	1	Check & Fill	500/12 Mnth
41	Auxiliary Hoist	3.0 GALS (11.4 L)	12964	Note 1 & 8	1	Check & Fill	500/12 Mnth
42	Main Hoist Follower/Idler Assy	-----	3477	Note 5 & 8	3	Lube	500/12 Mnth
43	Aux Hoist Follower/Idler Assy	-----	3477	Note 5 & 8	3	Lube	500/12 Mnth
LUBE SPECIFICATION			DESCRIPTION				
A6-829-003477			Extreme Pressure Multipurpose Grease				
A6-829-006444			Hydraulic Oil				
A6-829-012964			Semi-Synthetic Gear Lube				
A6-829-005830			Water Pump Grease				

NOTES:

- Final fluid levels shall be adjusted by indicating arrows, dipstick markings, or to filler plugs.
- Spread grease on all gear teeth with brush.
- Before installation, lubricate interior of swivel to prevent rusting from condensation.
- When checking oil in the swing gear box, remove dipstick, wipe clean, insert dipstick into the level check sleeve until the cap is flush with the end of the sleeve. Do not screw the cap onto the sleeve to check the oil. Remove dipstick and observe level. If no dipstick is available, fill to top of case.
- Use grease fittings provided.
- Use fittings located on panel at front of turntable.
- On units equipped with automatic bearing greaser, depress button (control seat left armrest) and swing S/S through (2) revolutions after every 100 hours of use. Inspect pump reservoir and fill as required. On units without automatic bearing greaser, use fitting located on panel at front of turntable. Apply grease and swing S/S in 10 degree increments for one full revolution. Pack bearing until grease can be seen around seal.
- Service hours are by whichever interval occurs first.